



SEP 1 0 2009

DepED O R D E R
No. **93**, s. 2009

PRESCHOOL BUILDING PROGRAM

To: Regional Directors
Schools Division/City Superintendents
Heads, Public Elementary Schools

1. In support of the Department of Education's effort to institutionalize Early Childhood Education, the Preschool Building Project is hereby initiated through the provision of a lump sum Capital Outlay under Republic Act No. 9524 or the General Appropriations Act for FY 2008 and 2009.

2. Funds shall be downloaded through Sub-Allotment Release Order to priority divisions which shall be identified per DECS Order No. 60, s. 1993 and DepED Order 57, s. 2007, entitled DECS Program for Preschool Education and Guidelines on Hiring and Deployment of Preschool Teachers, respectively.

3. Guidelines for implementation (Enclosure No. 1), list of priority schools (Enclosure No. 2), including the floor plan (Enclosure No. 3) and furniture designs (Enclosure No. 4) are enclosed for reference and compliance.

4. In view of the urgency of the matter, the 2008 continuing preschool funds shall be maximally utilized. All concerned are hereby directed to give priority and full support by closely coordinating with their respective offices to ensure smooth and timely completion of this Project.

5. Immediate dissemination of and compliance with this Order is directed.



JESLI A. LAPUS
Secretary

Encls.: As stated

References: DECS Order: (No. 60, s. 1993)

DepED Order: (No. 57, s. 2007)

Allotment: 1—(50-97)

To be indicated in the Perpetual Index
under the following subjects:

FUNDS
POLICY
PRESCHOOL EDUCATION

PROJECTS
SCHOOLBUILDING

GUIDELINES FOR THE IMPLEMENTATION OF THE PRESCHOOL BUILDING PROGRAM

A. Identification of Recipient Schools

1. Public Elementary Schools offering Early Childhood/ Preschool Education are prioritized based on the following considerations:
 - Schools implementing Preschool Education Program per DECS Order No. 60, s. 1993. These are schools in the Social Reform Agenda (SRA) provinces with permanent teacher items.
 - Schools with preschool classes handled by newly deployed permanent teachers (per DepEd Order 57, s. 2007) who have completed 18 unit Institution-based ECE Training in summers of 2008 and 2009.
2. The identified priority recipient schools should have sufficient school site for the construction of a single storey preschool building. The site should have corresponding ownership documents, (e.g. TCT, Deed of Donation, Usufruct Agreement). Tax declaration in the name of DepEd or by the Local Government Unit (LGU) can be considered by the Department as an acceptable form of site ownership document, provided, however, that there is a certification from the Assessor's Office that the lot has no adverse claim.
3. The Division Office through the Physical Facilities Coordinator and DepED Project Engineer shall conduct site appraisal on the recipient schools to determine actual site conditions and exact location where the building will be constructed.

B. Manner of Allocation and Downloading of Funds

1. Financial allocation for the Project shall be computed based on the number of identified priority schools in every division. A separate Sub-SARO shall be made for the School Building and the School Furniture which shall be downloaded to Regional Offices. Funding is sourced from the lump sum Capital Outlay Budget for Pre-School Education for all Children under RA 9498 and RA 9524 or General Appropriations Act for FY 2008 and 2009.

2. Procurement of this project shall be managed by the Regional Bids and Awards Committee following the Revised Implementing Rules and Regulations of RA 9184 (Government Procurement Reform Act). To maximize the benefit of the project, the corresponding allocation shall be obligated on or before December 31, 2009.
3. Procurement of School Building and Furniture shall be done separately. The procurement of works shall follow the Guidelines for Procurement of Works (Volume 3 of RA 9184, DepED Customized Procurement Manual) while procurement of Furniture shall follow the Guidelines for the Procurement of Goods and Services (Volume 2 of RA9184, DepED Customized Procurement Manual).

C. Classroom and School Furniture Design

1. The standard classroom size of 7m x 9m shall be used in the implementation of this program. This will allow the preschool children to have enough space for physical and interactive learning activities. Please see Enclosure 3 for the floor plan.
2. The recommended classroom to pupil ratio for preschool shall be 1:25 to 1:30.
3. School furniture especially designed, Enclosures 4.1 to 4.6, for preschool will also be provided as part of the Project Package. The complete furniture set to be received by the recipient schools are as follows:
 - a. 30 Sets of Tables and Chairs (modular type)
 - b. 1 set Teacher's Table and Chair
 - c. 1 Unit Teacher's Cabinet
 - d. 1 unit pupil's open shelves

D. Implementing Procedure

1. The Division Office thru the Division Physical Facilities Coordinator and the DepED Project Engineer shall conduct the site appraisal of recipient schools.
2. The Regional Bids and Awards Committee shall conduct the procurement of School Buildings and Furniture into separate packages following the Implementing Rules and Regulations of RA 9184.

Enclosure 1

DepEd Order No. 93 s. 2009

3. To be able to familiarize the Division and Regional Bids and Awards Committee on the procurement procedures and technical requirements for the projects, an Orientation Seminar Workshop shall be made by the Bureau of Elementary Education (BEE) and the Physical Facilities and Schools Engineering Division (PFSED) of the Office of Planning Service (OPS). A separate memorandum will be issued on this matter.
4. In case the pre-identified priority schools as per Enclosure 1 are not suitable for construction of a single storey preschool building, the Division Office can recommend an alternate school provided compliant to the criteria set; or if there is none at all, the recipient school may select a classroom that will be subjected for improvement to convert it into a pre-school classroom, provided however that no classroom of regular classes shall be affected or sacrificed. Likewise if in a particular division, based on Enclosure 1, has no identified priority recipient schools, the DO may likewise recommend.
5. A monitoring fund shall be downloaded to the Regional Offices for monitoring purposes of this Pre School Building Program.
6. Close coordination between the recipient schools, Division Offices, Regional Offices, Bureau of Elementary Education (BEE) and the Physical Facilities and Schools Engineering Division (PFSED) is enjoined. The PFSED of the Office of Planning Service shall provide the necessary technical assistance in the procurement and monitoring of the project.

(Enclosure No. 2 to DepED Order No. 93, s. 2009)

PRIORITY LIST OF SCHOOLS FOR 2008 PRESCHOOL BUILDING PROGRAM

| REGION | DIVISION | SCHOOL |
|--------|-----------------|-------------------|
| I | Dagupan City | West Central I ES |
| | | Bolosan ES |
| | | Pantal ES |
| | | Malued ES |
| | Ilocos Norte | Badio ES |
| | | Sto. Cristo ES |
| | | Ar-arusip ES |
| | | Catangraran ES |
| | Ilocos Sur | San Vicente CS |
| | | Gusing ES |
| | | San Pedro ES |
| | | Magsingat CS |
| | La Union | Bacnotan CS |
| | | Cabaroan ES |
| | | Agoo East CS |
| | | Damoris ES |
| | Laoag City | Gabaldon ES |
| | | Sta. Maria ES |
| | | Laoag CS |
| | | Shamrock ES |
| | Pangasinan I | Lingayen I CS |
| | | Olo ES |
| | | Nagsaing ES |
| | | Sapa Grande ES |
| | Pangasinan II | Mangaldan CS |
| | | Bonbonan ES |
| | | Villasis CS |
| | | Baritao ES |
| | San Carlos City | Coliling ES |
| | | Central I ES |
| | | Libas ES |
| | | Aponit ES |
| | Urdaneta City | Cabanuan ES |
| | | Camantiles ES |
| | | San Jose ES |
| | | Nancayasan ES |
| | Candon City | Cobabbuot ES |
| | | Candon North CS |
| | | Salvador ES |
| | | Sto. Tomas ES |
| | Alaminos City | Pogo ES |
| | | Alos ES |
| | | Bolaney ES |
| | | Alaminos CS |

Enclosure 2

| DepEd Order No. REGION | s, 2009 DIVISION | SCHOOL |
|---------------------------|---------------------|-------------------------|
| | San Fernando City | Lingsat ES |
| | | Catbangan CS |
| | | South CS |
| | | Lingsat Comm. Sch. |
| | Vigan City | Vigan CS |
| | | Burgos Mem. Sch |
| | | Nagsangalan ES |
| II | Batanes | Basco CS |
| | | Diptan ES |
| | | Itbayat ES |
| | | Sabtang ES |
| | Cagayan | Malasin ES |
| | | Enrile North CS |
| | | Gattaran WCS |
| | | Abulug CS |
| | Tuguegarao City | Tuguegarao East CS |
| | | Ugac ES |
| | | Tuguegarao North CS |
| | | Tuguegarao Northeast CS |
| | Quirino | Cabarroguis CS |
| | | Saguday CS |
| | | San Pedro ES |
| | | Mangandingay ES |
| | Isabela | Gamu CS |
| | | Quezon CS |
| | | San Roque ES |
| | | Turod Integrated Sch. |
| | Nueva Viscaya | Villarde CS |
| | | Bintawan NES |
| | | Bagabag NES |
| | | Sta. Lucia ES |
| | Cauayan City | |
| | | |
| | | |
| III | Angeles City | |
| | | |
| | | |
| | Aurora | Baler CS |
| | | Casiguran CS |
| | | Dipaculao CS |
| | | Dingalan CS |
| | Bataan | Bagac ES |
| | | Dinalupihan ES |
| | | J.C. Payumo ES |
| | | Morong ES |

| REGION | DIVISION | SCHOOL |
|--------|-------------------------|-----------------------|
| | Bulacan | Subic ES |
| | | FSS Patulo ES |
| | | San Vicente Gulod ES |
| | | Sto. Niño ES |
| | Cabanatuan City | Macatbong ES |
| | | D.S. Garcia ES |
| | | Sumacab Este ES |
| | | |
| | Nueva Ecija | San Roque ES |
| | | Rizal CES |
| | | San Fernando Sur ES |
| | | Batitang ES |
| | | |
| | Olongapo City | Tapinac ES |
| | | Kalaklan ES |
| | | Bangal ES |
| | | New Cabalan ES |
| | | |
| | Pampanga | San Luis CES |
| | | Sto. Domingo ES |
| | | Sta. Lucia ES |
| | | Minalim CES |
| | Tarlac | Casili ES |
| | | Melecio Manganaan ES |
| | | Bamban ES |
| | | San Juan de Valdez ES |
| | Zambales | |
| | | |
| | | |
| | | |
| | Balanga City | |
| | | |
| | | |
| | | |
| | Gapan City | Pambuan ES |
| | | Sto. Niño ES |
| | | Mahipon ES |
| | | |
| | Malolos City | Barasoain MES |
| | | Malolos ES |
| | | Pamarawan ES |
| | | bangkal ES |
| | San Fernando City | |
| | | |
| | San Jose del Monte City | Tungkong Manga ES |
| | | Francisco Homes ES |
| | | Bagong Buhay East CES |
| | | Sn Jose Del Monte CES |
| | | |

Enclosure 2

| DepEd Order No. REGION | s, 2009 DIVISION | SCHOOL |
|---------------------------|---------------------|------------------------------|
| | Tarlac City | Natividad de Leon ES |
| | | |
| | Muñoz Science City | Magtanggol ES |
| | | Muñoz CS |
| | | |
| IV-A | Batangas | Apacay ES |
| | | San Luis ES |
| | | Labak ES |
| | | San Jose ES |
| | | |
| | Batangas City | Wawa ES |
| | | Batagans South ES |
| | | Tabangao ES |
| | | Bagong Silang ES |
| | Cavite | Silang 1 - Silang CS |
| | | Gen. Trias I-Alonia ES |
| | | Dasma II- San Miguel ES |
| | | Tanza-Felipe Calderon ES |
| | Cavite City | Julian Felipe ES |
| | | Ladislao Diwa ES |
| | | Manuel Rojas ES |
| | | |
| | Laguna | Loma ES |
| | | Southville ES |
| | | Patimbao ES |
| | | San Isidro ES |
| | Lipa City | San Lucas ES |
| | | Santo Toribio ES |
| | | Duhatan ES |
| | | Pagulingin ES |
| | Lucena City | Lucena East I ES |
| | | Ibabang Talim ES |
| | | Lucena West I ES |
| | | Pagolingin ES |
| | Quezon | Mauban North ES |
| | | Polillo ES |
| | | Gumaca East CS |
| | | Paaralang Pre-Elem. Lucban I |
| | Rizal | Pilillia ES |
| | | Taytay ES |
| | | Cainta ES |
| | | Maly ES |
| | San Pablo City | San Pablo CS |
| | | Remedios CS |
| | | Don Enrique Bautista ES |
| | | Ambray ES |

Enclosure 2

| DepEd Order No. REGION | s, 2009 DIVISION | SCHOOL |
|---------------------------|-------------------------|----------------------------|
| | Antipolo City | Juan Sumulong ES |
| | | Isaias Tapales ES |
| | Calamba City | Tujani ES |
| | | Makiling ES |
| | | Tulo ES |
| | | E. Barreto ES |
| | Tanauan City | Janopol Oriental ES |
| | | Tapia ES |
| | | Malaking Puio ES |
| | | banjo East/Bajp Laurel |
| | Sta, Rosa City | Sinalhan ES |
| | | Dila ES |
| | | Jose Savalla ES |
| | | Pulong Sta. Cruz |
| IV-B | Marinduque | Sta. Cruz East CS |
| | | Antipolo-Banuyo ES |
| | | Don Luis Hidalgo Mem. Sch. |
| | | Gasan CS |
| | Occidental Mindoro | Abra de Ilog CS |
| | | Paluan CS |
| | | Mamburao CS |
| | | Caminawit ES |
| | Oriental Mindoro | Gloria CS |
| | | Puerto Galera CS |
| | | Victoria CS |
| | | Pinamalayan Pilot Sch. |
| | Palawan | Narra Pilot School |
| | | Andres Soriano Mem. Sch. |
| | | |
| | Puerto Princesa City | |
| | | |
| | Romblon | Alcantara CS |
| | | Looc CS |
| | | Odiongan North CS |
| | | Romblon West CS |
| | Calapan City | Bayanan I |
| | | Adriatico MES |
| | | Lazare II ES |
| | | Calapan CS |

Enclosure 2

| DepEd Order No. REGION | s, 2009 DIVISION | SCHOOL |
|---------------------------|---------------------|------------------------|
| V | Albay | Malilipot CS |
| | | Tiwi CS |
| | | Daraga North CS |
| | | Oas North CS |
| | Camarines Norte | Calabaca ES |
| | | FD Ibasco ES |
| | | Makolabo ES (Parakale) |
| | | San Jose ES (Basud) |
| | Camarines Sur | San Pedro ES |
| | | Barcelona ES |
| | | Sooc ES |
| | | Camaligan ES |
| | Catanduanes | Viga CS |
| | | Podon ES |
| | | Gigmoto CS |
| | | Bato CES |
| | Iriga City | San Francisco ES |
| | | Iriga South CS |
| | | Iriga North CS |
| | Legaspi City | Banguerohan ES |
| | | Tamauyan ES |
| | | Boraquis ES |
| | | Bugtong ES |
| | Masbate | Vicente Oliva ES |
| | | Milagros West CS |
| | | Pasiagon ES |
| | | Sta. Cruz ES |
| | Naga City | Triangulo ES |
| | | San Isidro ES |
| | | San Nicolas ES |
| | | Don Manuel Abella ES |
| | Sorsogon | Matnog CES |
| | | Irusin CS |
| | | Casiguran CS |
| | | Bukan South CS |
| | Sorsogon City | Pamurayan ES |
| | | Donsol East CS |
| | | Sto. Domingo ES |
| | | Sawanga ES |
| | Ligao City | Maon-on ES |
| | | Bako ES |
| | | Cavaci ES |
| | | Amtik ES |

Enclosure 2

| DepEd Order No. REGION | s, 2009 DIVISION | SCHOOL |
|---------------------------|---------------------|-------------------------|
| | Masbate City | San Pascual CS |
| | | PAAES |
| | | Buyo ES |
| | | Monreal ES |
| | Tabaco City | Tabaco North West CS |
| | | Tabaco South CS |
| | | Sua-igot ES |
| | | Tabaco North CS |
| VI | Antique | Sebasti CS |
| | | Bugo CS |
| | | Pandan CS |
| | | Belison ES |
| | Aklan | Altavas ES |
| | | Mandong ES |
| | | Malinao ES |
| | | Tangalan ES |
| | Bacolod | Viila Esperanza ES |
| | | Felisa ES |
| | | Corazon Montelibano CES |
| | | Bata ES |
| | Bago City | T. Morada ES |
| | | Mailum ES |
| | | Ma-ao Sugar CES |
| | | Loisiana ES |
| | Cadiz City | Cadiz East II ES |
| | | Pedro E. Ramos Sr. ES |
| | | Cadiz East I ES |
| | | Cadiz West I ES |
| | Capiz | Don Catalino Andrada MS |
| | | Agbay-ang P/S |
| | | Badiangon ES |
| | | Lonoy ES |
| | | |
| | Guimaras | Buenavista CS |
| | | Jordan CS |
| | | Dolores ES |
| | | Sta. Teresa ES |
| | | |
| | Iloilo | Guimbal CES |
| | | Pototan CES |
| | | Miagao CES |
| | | DELMES |
| | | |
| | Iloilo City | Jaro I ES |

Enclosure 2

| DepEd Order No. REGION | s, 2009 DIVISION | SCHOOL |
|---------------------------|---------------------|--------------------------|
| | | Manduriao ES |
| | | ICES |
| | | Rizal ES |
| | Kabankalan | Kamansi ES |
| | | Bantayan ES |
| | | NOAC ES |
| | | Binicuil ES |
| | | |
| | La Carlota City | La Carlota SES I |
| | | La Carlota NES |
| | | La Carlota SES II |
| | | Nagasi ES |
| | Negros Occidental | PA Cuaycong ES |
| | | Concepcion ES |
| | | San Enrique ES |
| | | Victorias ES |
| | | |
| | Roxas City | Tanza ES |
| | | Culasi ES |
| | | Barra ES |
| | | Rufina Andrada Santos MS |
| | | Lauan ES |
| | | DMAMS |
| | | |
| | Sagay City | Plaridel ES |
| | | Himogaan Baybay IS |
| | | Mulokabok IS |
| | | Onofre ES |
| | San Carlos City | Guadalupe ES |
| | | Florentina Ledesma ES |
| | | Quezon ES |
| | | Prosperidad ES |
| | Silay City | Gaston ES |
| | | Guinhalaran IS |
| | | Silay South ES |
| | | Mambulak ES |
| | Passi City | Maasin ES |
| | | Buyo ES |
| | | FJ Santibañes MES |
| | | Alimuno ES |
| VII | Bohol | Dauis ES |
| | | Villafuerte ES |
| | | Can-olin ES |
| | | Calape CES |
| | | Batuan CES Annex |
| | | Lonoy ES |
| | | |
| | Cebu | Manduwang ES |
| | | Jubay ES |
| | | Sogod ES |

Enclosure 2

| DepEd Order No. REGION | s, 2009 DIVISION | SCHOOL |
|---------------------------|---------------------|-------------------------|
| | | Bitoon CS |
| | Cebu City | Bagong Lipunan ES |
| | | Alaska ES |
| | | Bacayan ES |
| | | Labangon ES |
| | Dumaguete City | West City ES |
| | | City Central School |
| | | Batinguel ES |
| | | South City ES |
| | | |
| | Lapu-lapu City | Marigondon ES |
| | | Buaya ES |
| | | Ibo ES |
| | | Mactan Airbase ES |
| | Mandaue City | Mandaue City CES |
| | | Magulkay ES |
| | | Basak ES |
| | | Subang Dako ES |
| | Negros Oriental | Malaiba ES |
| | | Bagtic ES |
| | | Mabinay CES |
| | | Sibulan CES |
| | | Maluay ES |
| | | Ilaya Tayasan PS |
| | | Enrique Villanueva ES |
| | Siquijor | Larena ES |
| | | Cadanay ES |
| | | Maria Central School |
| | | Catulayan ES |
| | Toledo City | Awihaw ES |
| | | Gen. Pio del Rosario ES |
| | | Magdugo ES |
| | | Don Andres Soriano ES |
| | Talisay City | Bulabaw ES |
| | | Talisay CES |
| | | San Isidro ES |
| | | Borromeo Brothers ES |
| | Bais City | Bais City Pilot |
| | | Magsagaban ES |
| | | Mangganay ES |
| | | Cambagahan ES |
| | Bayawan City | Bayawan East ES |
| | | Nangka ES |
| | | Calumbuyan ES |
| | | Damig ES |
| | Danao City | Danao CES |
| | | Suvero Duterte MES |
| | | Sabang ES |
| | | Comp. 8 ES |
| | Tagbilaran City | Booy ES |

Enclosure 2

| DepEd Order No. REGION | s, 2009 DIVISION | SCHOOL |
|---------------------------|---------------------|------------------------|
| | | City East ES |
| | | Dao ES |
| | | Manga ES |
| | Tanjay City | Tanjay South CES |
| | | Plaza CES |
| | | Sta. Cruz CES |
| | | Novalla CES |
| | | |
| VIII | Biliran | Caraycaray CES |
| | | Caibiran CES |
| | | Bunga ES |
| | | Kawayan CES |
| | Calbayog City | Calbayog East CS |
| | | San Joaquin CS |
| | | Trinidad ES |
| | | Mejaga ES |
| | Eastern Samar | Can-awid CS |
| | | Oras East CS |
| | | Balangkayan ES |
| | | Llorente ES |
| | Leyte | Gacao ES |
| | | Cantuhaon ES |
| | | Elevado ES |
| | | San Pablo ES |
| | Northern Samar | |
| | | |
| | Ormoc City | Bagong Buhay ES |
| | | Patag ES |
| | | Juaton ES |
| | | Doña Feliza Z. Meja ES |
| | Samar (Western) | |
| | | |
| | Southern Leyte | Bontoc CS |
| | | St. Bernard CS |
| | | Liloan CS |
| | | Maasin CS |
| | Tacloban City | Lucio Vivero ES |
| | | Bulante ES |
| | | Utap ES |
| | | Salvacion ES |
| | Maasin City | |

Enclosure 2

| DepEd Order No. REGION | s, 2009 DIVISION | SCHOOL |
|------------------------|---------------------|----------------------|
| IX | Dapitan City | Aseniero ES |
| | | Guimputian ES |
| | | Aliguay ES |
| | Dipolog City | Kauswagan ES |
| | | Sta. Cruz ES |
| | | San Jose ES |
| | | Cogon ES |
| | | Upper Dicayas ES |
| | | Pagadian City |
| | Zamboanga City | Danlungan ES |
| | | Macasing ES |
| | | Alegria ES |
| | | So. Support Com ES |
| | | Putik CES |
| | | Don GEMS |
| | Zambo del Norte | Talon-talon ES |
| | | Sindangan Pilot Dem. |
| | | Siari ES |
| | | Disud ES |
| | | Nabilid ES |
| | | Zambo del Sur |
| | Zambo Sibugay | Molave RPS |
| | | Bayog CS |
| | | Dumalinao CS |
| | | Kabasalan CES |
| | | Titay CES |
| | | Slay CS |
| | Isabela City | Ipil CS |
| | | Isabela West CES |
| | | Kabunbata ES |
| Busay ES | | |
| Tablawan ES | | |
| X | | Bukidnon |
| | Damulog CES | |
| | Tagalog CES | |
| | Cagayan de Oro City | Sampagar ES |
| | | City Central School |
| | | East City CS |
| | Camiguin | West City CS |
| | | Mambajao CS |
| | | Catarman CS |
| | | Mahinog CS |
| | | Alangilan ES |
| | | Iligan City |
| | Tambacan ES | NAPOCOR ES |
| | | Doña Juan Lluch MCS |
| | | Tambacan ES |

Enclosure 2

| DepEd Order No. REGION | s, 2009 DIVISION | SCHOOL |
|---------------------------|-------------------------------|---------------------|
| | Misamis Oriental | Mandangoa ES |
| | | Upper Jasaan CES |
| | | DG Pelaez ES |
| | | Liberty ES |
| | Gingoog City | Odiong CS |
| | | Mimbunga ES |
| | | Lunao CS |
| | | Amakan CS |
| | Lanao del Norte | SND CES |
| | | DABIOAS ES |
| | | Maluwanag ES |
| | | Kolambungan CES |
| | Misamis Occidental | Cagay-anon ES |
| | | Looc ES |
| | | Jimenez ES |
| | | Aloran CES |
| | Misamis Oriental | Jasaan CS |
| | | Liberty ES |
| | | Gimaylan ES |
| | | Mandangoa ES |
| | Ozamis City | Ozamis City CS |
| | | Baybay ES |
| | | Malaubang ES |
| | | |
| | Oroquieta City | Canubay ES |
| | | Rizal ES |
| | | Pines ES |
| | | Lower Langcangan ES |
| | Tangub City | Tangub CS |
| | | balatacan ES |
| | | Lorenzo Tan CS |
| | | Silanga ES |
| | Valencia City | Valencia City CS |
| | | Bagontaas CS |
| | | Butangan CS |
| | | Simayawan CS |
| XI | Compostela Valley Province | Compostela CES |
| | | Monkayo CES |
| | | Tuburan CES |
| | | Nabunturan CES |
| | Davao City | |
| | | |
| | | |
| | Davao del Norte | Marcos Estoque ES |
| | | Sampo ES |
| | | New Corella CES |
| | | St. Niño CES |

Enclosure 2

| DepEd Order No. REGION | s, 2009 DIVISION | SCHOOL |
|---------------------------|---------------------|---------------------------|
| | Davao del Sur | Guihing CES |
| | | Magsaysay CES |
| | | Manga CES |
| | | Darong ES |
| | Davao Oriental | Lucatan ES |
| | | G. Moralizon CES |
| | | Dela Piña Narisma Reconio |
| | | Quezon ES |
| | Digos City | R. Magsaysay CES |
| | | Don Mariano Marcos CES |
| | | Digos CES |
| | | Bagumbuhay ES |
| | Panabo City | Rizal Central |
| | | G. L. Dondoy ES |
| | | A. O. Florendo ES |
| | | Nanyo ES |
| | Tagum City | Rizal ES |
| | | Union ES |
| | | Visayan Village |
| | | |
| | Samal City | |
| | | |
| | | |
| XII | Cotabato | Kabacan CS |
| | | Antipas CES |
| | | Tulunan CES |
| | | Pres. Roxas CES |
| | Cotabato City | Cotabato Pilot CES |
| | | ND Village ES |
| | | Lugay-lugay ES |
| | | J. Marquez ES |
| | General Santos City | Bawing ES |
| | | Roman C. Acharon ES |
| | | Datal Salban ES |
| | | Dadiangas West CES |
| | Sarangani | Tangan ES |
| | | New Canaan ES |
| | | Kibala ES |
| | | Kipalkuda ES |
| | South Cotabato | Bacdolong ES |
| | | Jose Natividad Jr. ES |
| | | Colongulo ES |
| | | Norala CS |
| | Sultan Kudarat | Central Isulan ES |
| | | Bambad CES |
| | | Kalamansig CS |
| | | South Pres. Quirino CS |

Enclosure 2

| DepEd Order No. _____, 2009 | REGION | DIVISION | SCHOOL |
|-----------------------------|--------|-------------------|-------------------------|
| | | Koronadal City | Engkong Es |
| | | | Marbel 7 ES |
| | | | Marbel 1 CES |
| | | | Koronadal C II ES |
| | | Kidapawan City | Kidapawan City Pilot ES |
| | | | Manongol CES |
| | | | Perez ES |
| | | | Lanao CES |
| | | Tacurong City | Grino CES |
| | | | Amado Fernandez Sr. ES |
| | | | Tacurong Pilot CES |
| | | | New Isabela ES |
| | | | |
| CARAGA | | Butuan City | Dulag ES |
| | | | bancas ES |
| | | | Obrero ES |
| | | | Silad ES |
| | | Agusan del Norte | Buenavista CES |
| | | | Carmen CES |
| | | | Jabonga CES |
| | | | Agay CES |
| | | Agusan del Sur | Bunawan West ES |
| | | | Trinto CES |
| | | | Libertad ES |
| | | | San Francisco ES |
| | | Bislig City | Mangangoy East ES |
| | | | Requina ES |
| | | | Caramcam ES |
| | | | San Roque ES |
| | | Siargao | Dapa CES |
| | | | Gen. Luna CES |
| | | | Numencia ES |
| | | | Socorro ES |
| | | Surigao del Norte | Capasanan ES |
| | | | Cagdianao CES |
| | | | Albor CES |
| | | | Bacuag CES |
| | | Surigao del Sur | Carrascal CES |
| | | | Canitilan PES |
| | | | Magsaysay ES |
| | | | Barobo CES |
| | | Surigao City | Mariano Espina MES |
| | | | Surigao City ES |
| | | | Suriagao West CES |
| | | | V. Vasquez ES |

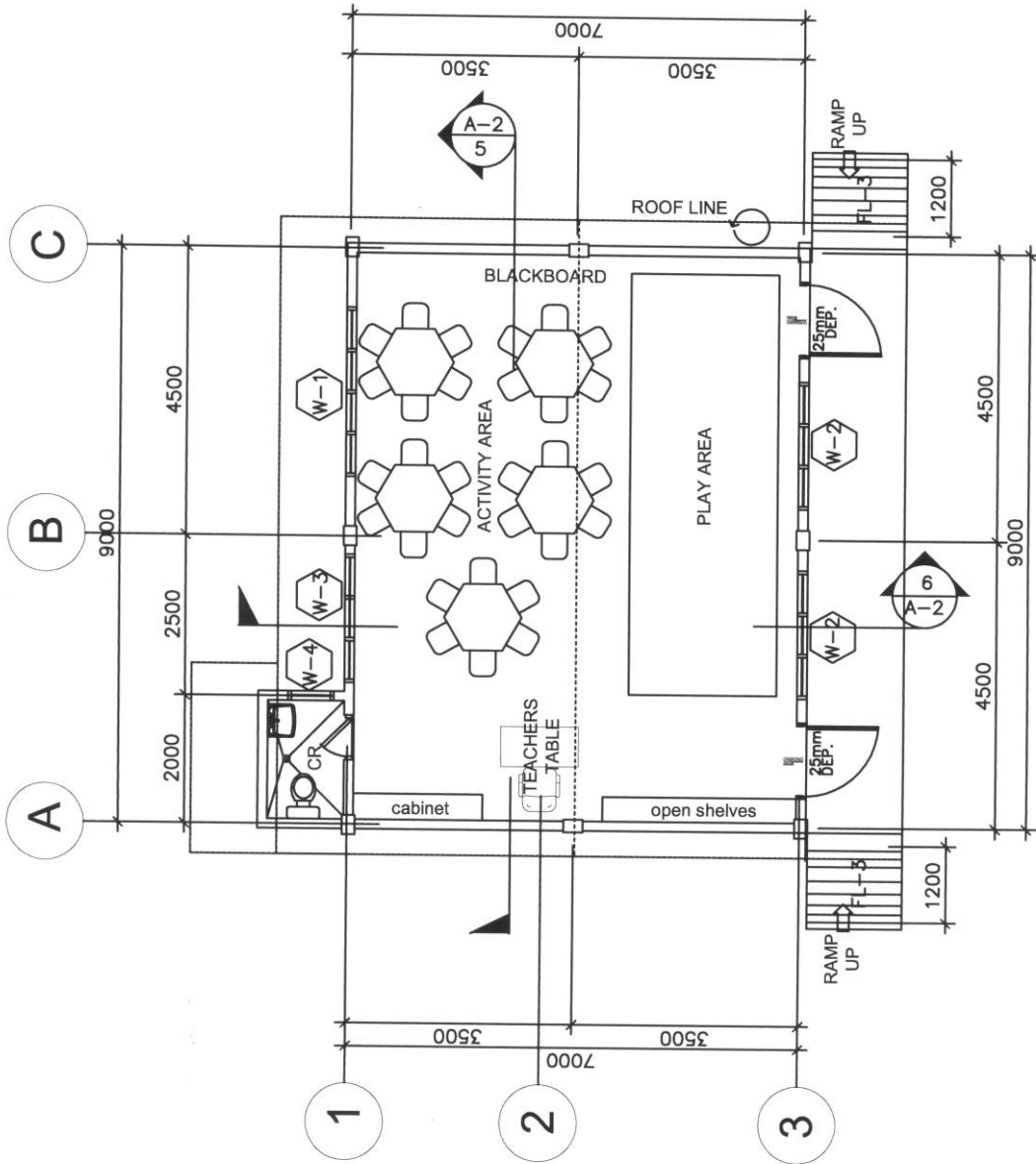
Enclosure 2

| DepEd Order No. REGION | s, 2009 DIVISION | SCHOOL |
|---------------------------|---------------------|-------------------------|
| | Dinagat | Dinagat CES |
| | | Mainit CES |
| | | Tubod CES |
| | | San Isidro CES |
| CAR | Baguio City | Quirino Hill ES |
| | | Loakan ES |
| | | Happy Hallow ES |
| | | Adiwang ES |
| | Benguet | Paoad ES |
| | | Sablan CS |
| | | Balatoc ES |
| | | Ambangeg ES |
| | Apayao | San Isidro ES |
| | | Pudtol CS |
| | | Flora CS |
| | | Sipa ES |
| | Kalinga | Tabuk CS |
| | | nambaran ES |
| | | Tuga ES |
| | | Eangad ES |
| | Ifugao | Lagawe CS |
| | | Hapao ES |
| | | Kiangan CS |
| | | Aguinaldo CS |
| | Mt. Province | Barling CS |
| | | Banguitan ES |
| | | Panabungen ES |
| | | Mainit ES |
| | Abra | Dangalas CS |
| | | San Juan CS |
| | | Malibcong ES |
| | | Pilar CS |
| NCR | Manila | A.A Quezon ES |
| | | A. V. Hernandez ES |
| | | Dr. Albert ES |
| | Quezon City | P. Del Mundo ES |
| | | R. Susano ES |
| | | Commonwealth ES |
| | Caloocan City | Caloocan CES |
| | | Camarin ES |
| | | Bagong Silang ES Main 2 |
| | Pasay City | T. Paez ES |
| | | J. Rizal ES |
| | | Villamor Airbase ES |
| | Pasig City | Santolan ES |
| | | Sam Miguel ES |
| | | Dr. Castro ES |

Enclosure 2

| DepEd Order No. _____, 2009 | REGION | DIVISION | SCHOOL |
|-----------------------------|--------|-----------------|--------------------------|
| | | San Juan City | |
| | | | |
| | | | |
| | | Parañaque City | Parañaque CES |
| | | | Lo Huerta ES |
| | | | Baclaran ES II |
| | | | |
| | | Marikina City | Industrial Valley |
| | | | Nangka ES |
| | | | Calumpang ES |
| | | | H. Baustista ES |
| | | Pateros/Taguig | Upper Bicutan ES |
| | | | Capt. Jose Cardones III |
| | | | MES |
| | | | Ricardo P. Cruz Sr. I ES |
| | | Malabon/Navotas | Malabon ES |
| | | | Tinajeros ES |
| | | Valenzuela City | Dona Ata ES |
| | | | Dalandan ES |
| | | | Pio Valenzuela ES |
| | | Las Piñas City | CAA ES |
| | | | Almanza ES |
| | | | Pamplona CES |
| | | Muntinlupa City | Bagong Silang ES |
| | | | Cupang Annex |
| | | | Sucat Annex |
| | | Makati City | Pembo ES |
| | | | Pitogo ES |
| | | | J. P. Rizal ES |

(Enclosure No. 3 to DepED Order No. 93, s. 2009)



1
A-1

FLOOR PLAN

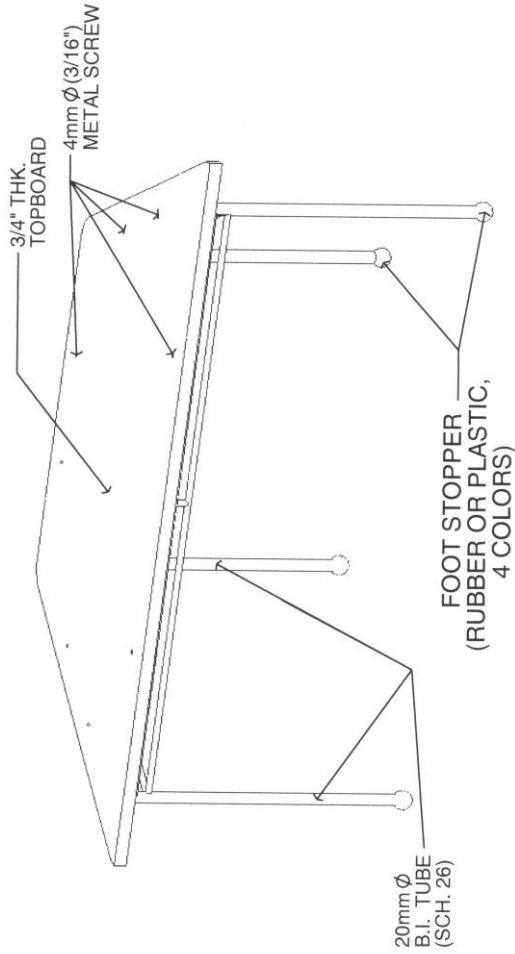
SCALE 1:100 METERS

PROJECT TITLE :

(Enclosure No. 4.1 to DepED Order No. 93, s. 2009)

DIMENSIONS OF PREPARATORY TABLE IN MILLIMETERS

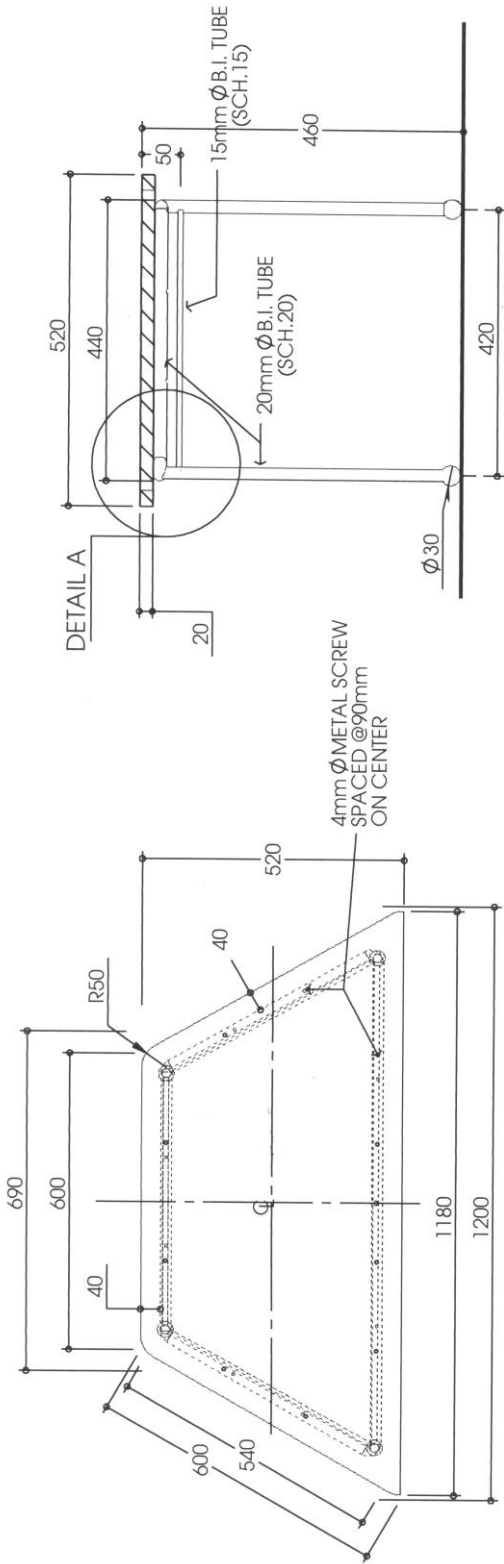
| LEVEL | DIMENSIONS |
|-------|----------------------|
| A | TABLE HEIGHT 460 |
| B | TABLE WIDTH 520 |
| C | TABLE LENGTH 1180 |



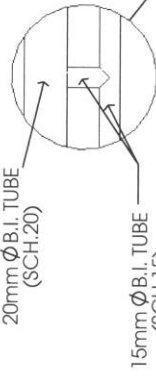
TECHNICAL SPECIFICATION

| | |
|------------------|--------------------------------------------------------------------------------------------------------------------------------|
| TOP BOARD | 520mm x 1180mm x 19(3/4")mm, PLY WOOD |
| STRUCTURAL FRAME | 20mm ϕ B.I. TUBE (SCH. 20) |
| RUBBER FOOTINGS | 1pc.-YELLOW, 1pc.-GREEN, 1pc.-RED, 1pc.-BLUE |
| JOINTS | FULLY WELDED |
| FINISHES | WOOD - SMOOTH FINISH W/ AT LEAST 3 COATS FLAT WALL ENAMEL (WHITE) STEEL - SMOOTH FINISH W/ AT LEAST 3 COATS Q.D.E (SKYBLUE) |

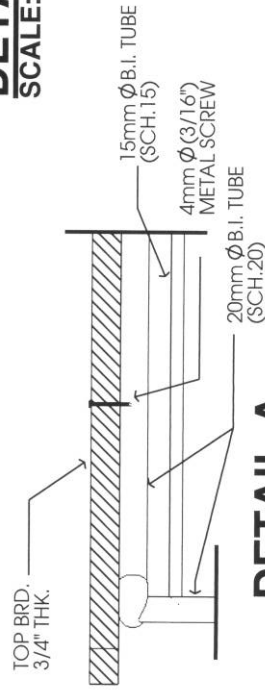
ISOMETRIC VIEW
SCALE: NTS



TOP VIEW
SCALE: NTS

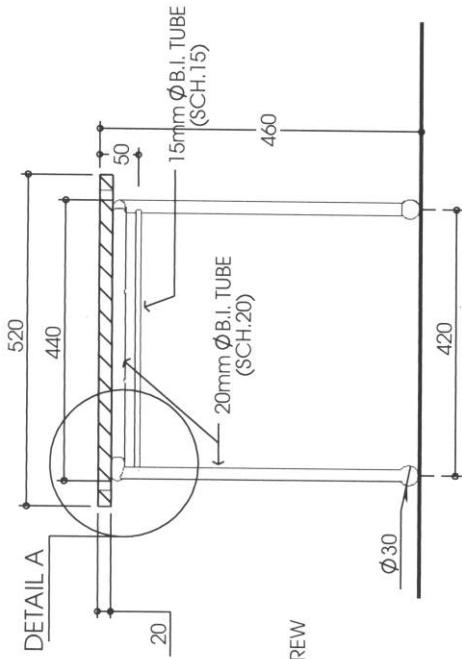


DETAIL A
SCALE: NTS

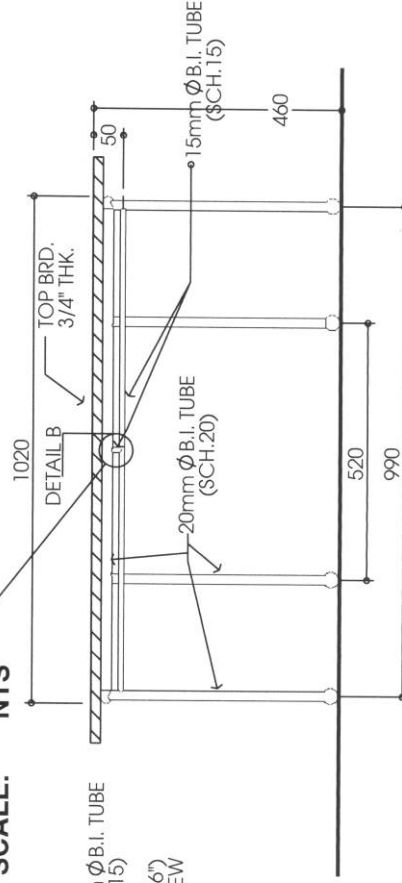


DETAIL B
SCALE: NTS

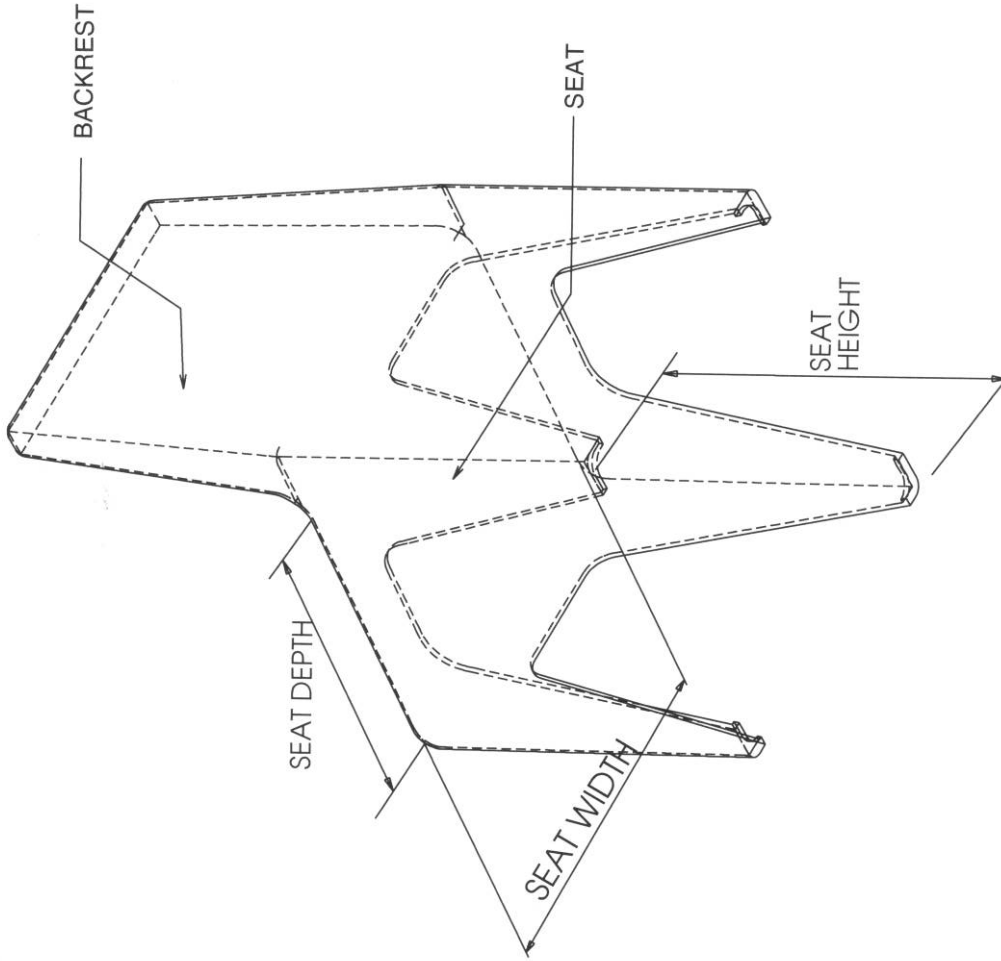
SIDE VIEW
SCALE: NTS



REAR VIEW
SCALE: NTS



(Enclosure No. 4.2 to DepED Order No. 93, s. 2009)



DIMENSIONS OF PRE-SCHOOL CHAIR IN MILLIMETERS

| LEVEL | DIMENSIONS |
|----------------|------------|
| A SEAT HEIGHT | 300 ±20MM |
| B SEAT DEPTH | 280 ±20MM |
| C SEAT WIDTH | 280 (MIN) |
| D BACKREST HT. | 450 (MIN) |

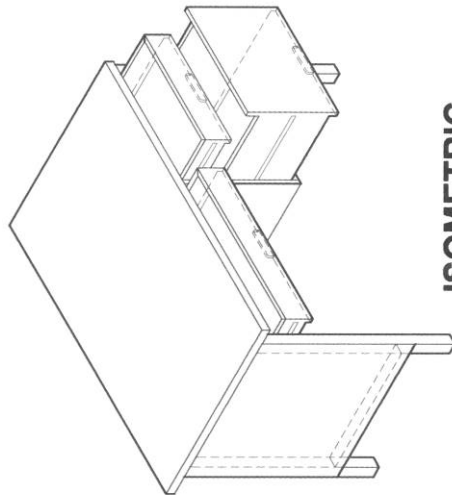
TECHNICAL SPECIFICATION

| | |
|---------------|-----------------------------------------------------------------------------------------------------------|
| MONOBLOC TYPE | POLY PROPYLENE (PP) PLASTIC THICKNESS: LEGS - 4MM (MIN) SEAT - 3MM (MIN) BACKREST - 3MM (MIN) |
| COLOR | LIGHT COLORS (APPROVED BY PROCURING ENTITY) |
| ARMREST | OPTIONAL |

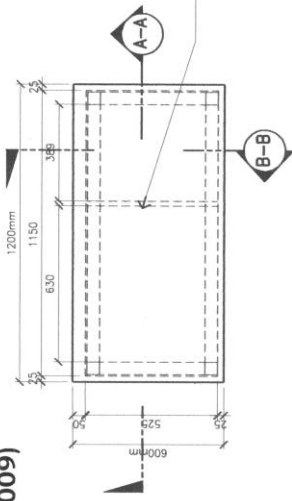
NOTE:
THE LEGS OF THE CHAIR SHOULD NOT SHOW DEFLECTION WHEN SUBJECTED TO AT LEAST 50 Kg. WEIGHT

ISOMETRIC VIEW
SCALE: NTS

(Enclosure No. 4.3 to DepED Order No. 93, s. 2009)

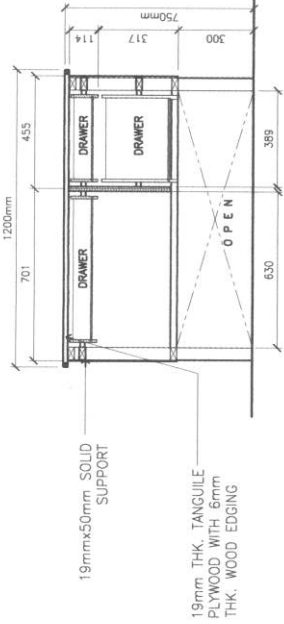


ISOMETRIC



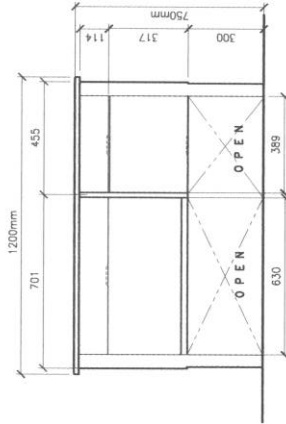
PLAN

SCALE: 1:20M



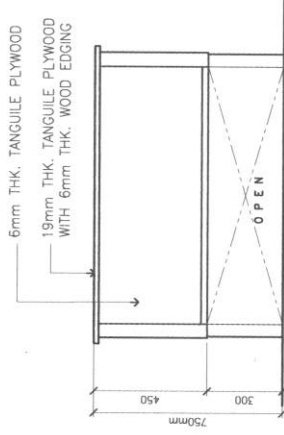
SECTION A-A

SCALE: 1:20M



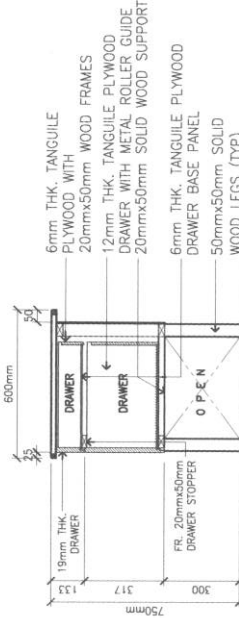
FRONT ELEVATION

SCALE: 1:20M



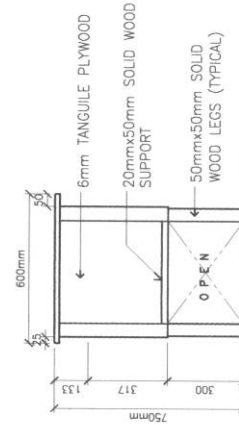
REAR ELEVATION

SCALE: 1:20M



SECTION B-B

SCALE: 1:20M



SIDE ELEVATION

SCALE: 1:20M

PROJECT TITLE :

REPUBLIC OF THE PHILIPPINES

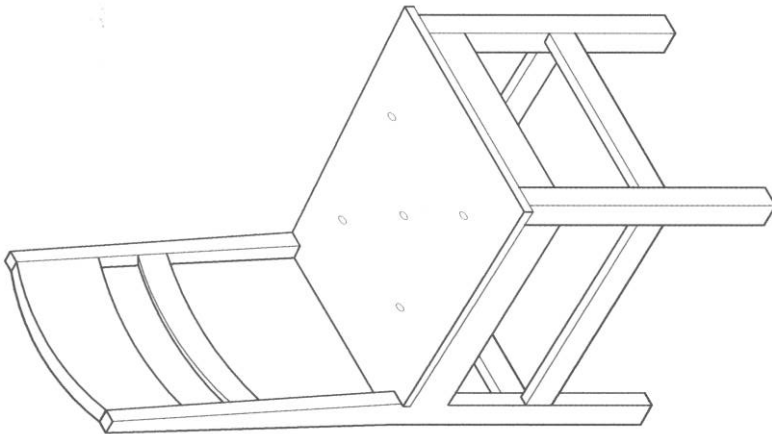


PHYSICAL FACILITIES AND SCHOOLS ENGINEERING DIVISION
MERALCO AVENUE, PASIG CITY

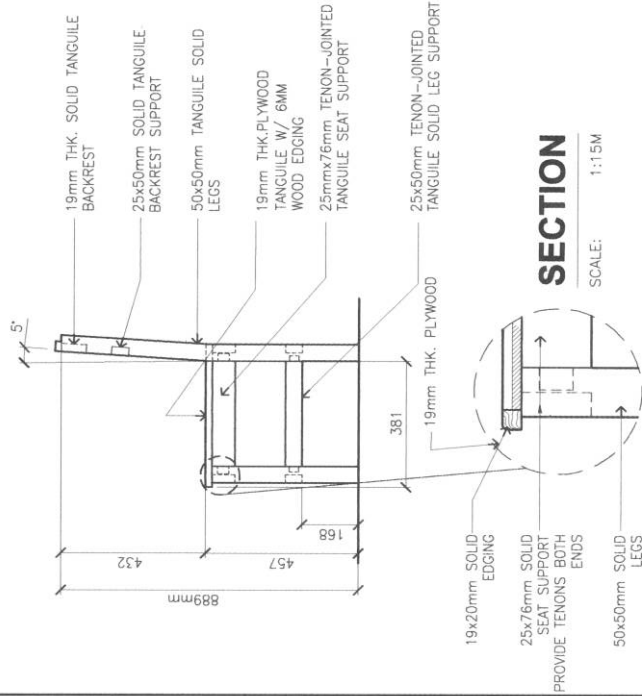
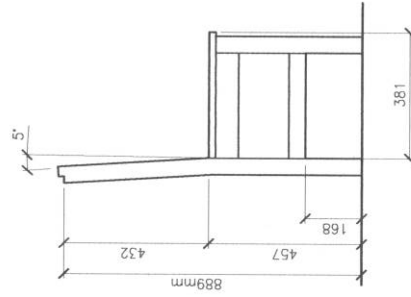
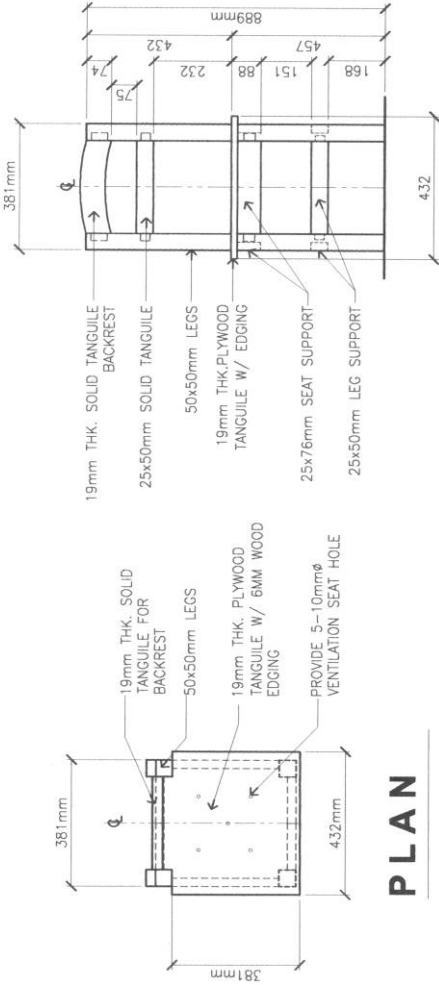
SHEET NO.

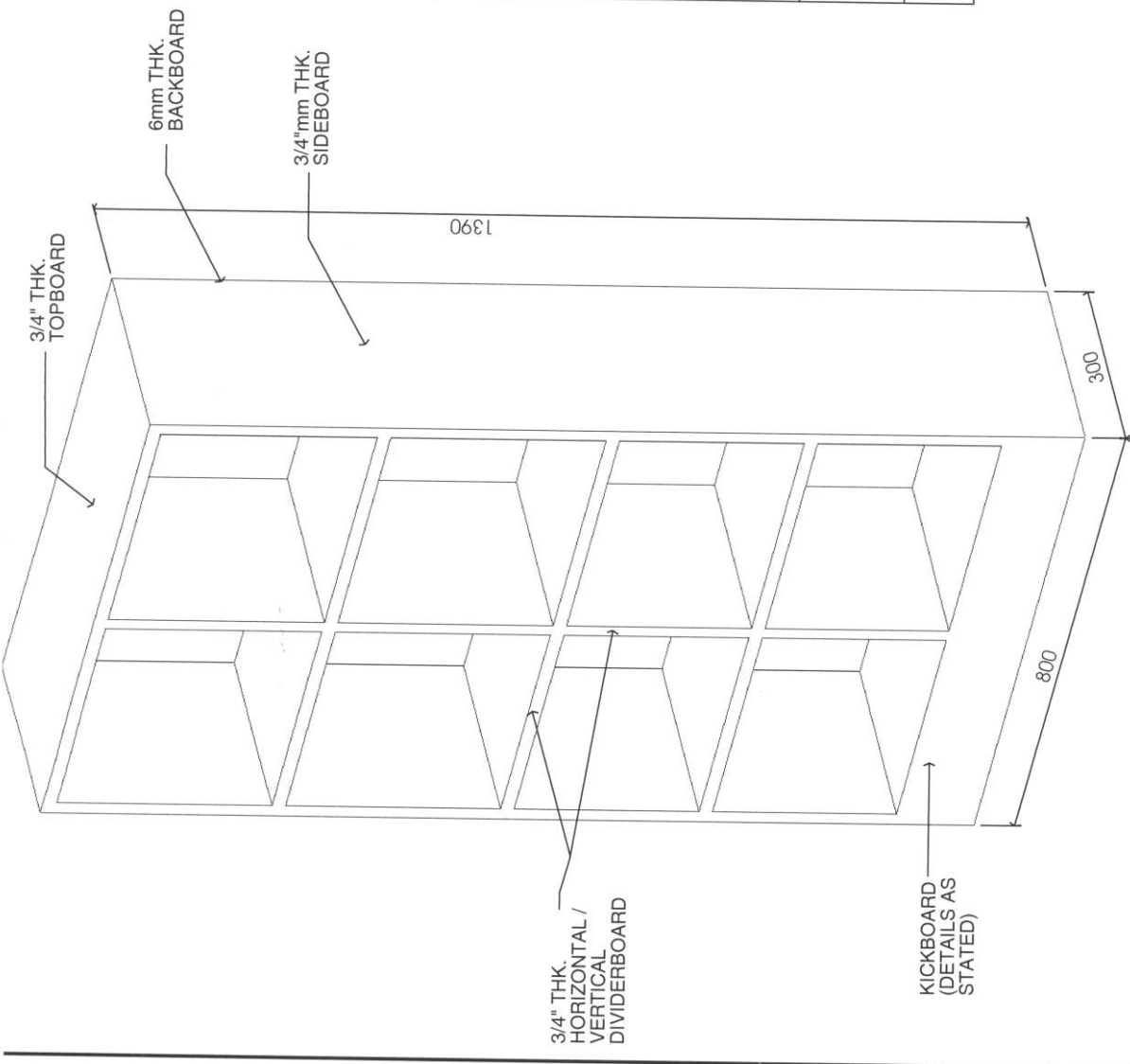
1
1

(Enclosure No. 4.4 to DepED Order No. 93, s. 2009)



ISOMETRIC

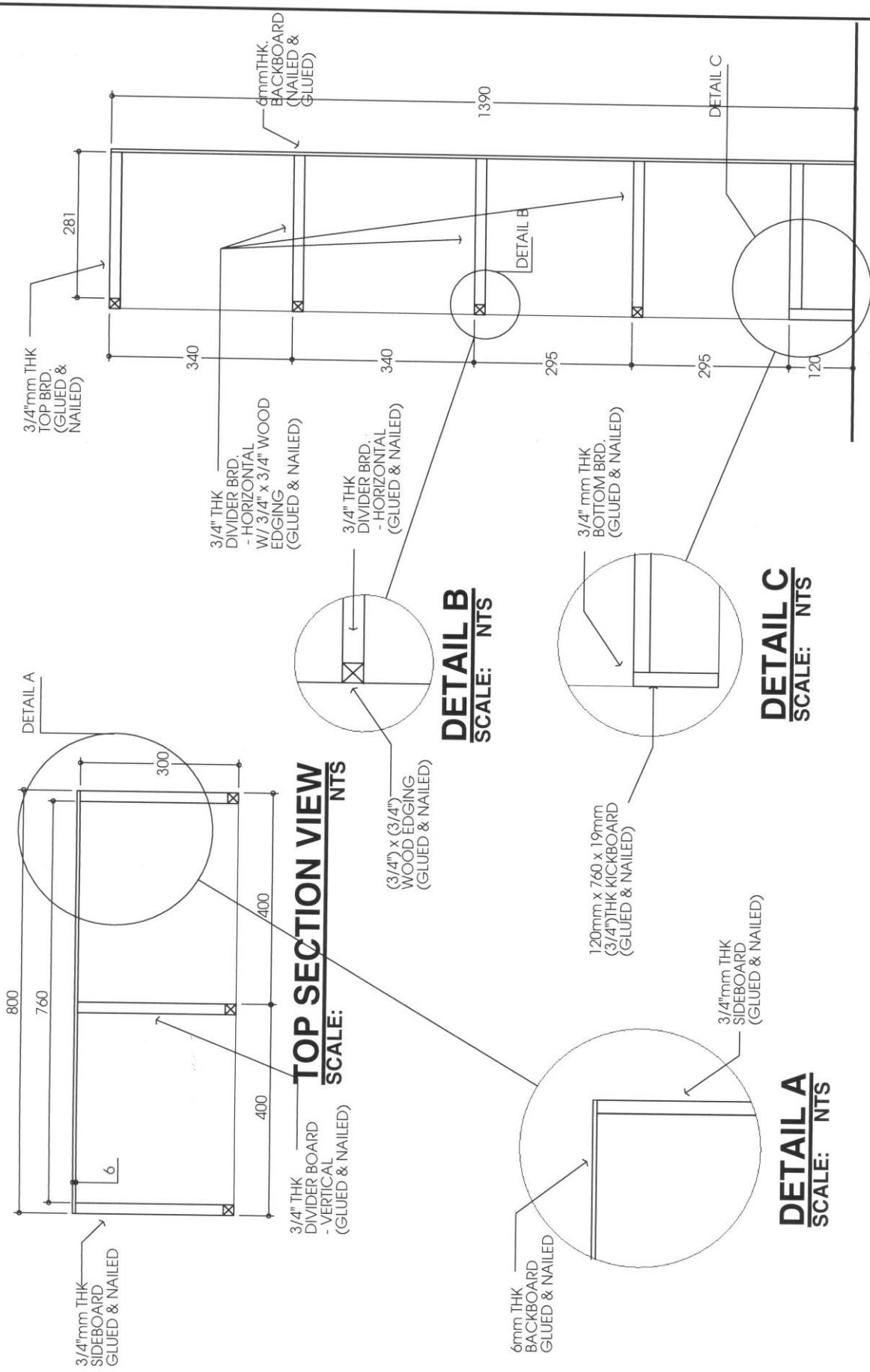




ISOMETRIC VIEW
SCALE: NTS

TECHNICAL SPECIFICATION

| | |
|------------------------|----------------------------------------------------------------------------------------------------|
| TOP / BOTTOM BOARD | 281mm x1180mm x 19mm (3/4"), PLY WOOD |
| SIDE BOARD | 2 - 281mmx1370mmx19mm (3/4"), PLY WOOD |
| HORIZONTAL DIVIDER BRD | 3 - 281mm x 760mm x 19mm (3/4"), PLY WOOD |
| VERTICAL DIVIDER BRD | 1 - 281mm x 1250mm x19mm(3/4"), PLY WOOD |
| FINISHES | WOOD - SMOOTH FINISH W/AT LEAST 3 COATS FLAT WALL ENAMEL (WHITE) ALL EDGES - CONCEALED W/ PUTTY |
| WOOD EDGING | 3/4" x 3/4" |



SECTION VIEW
SCALE: NTS

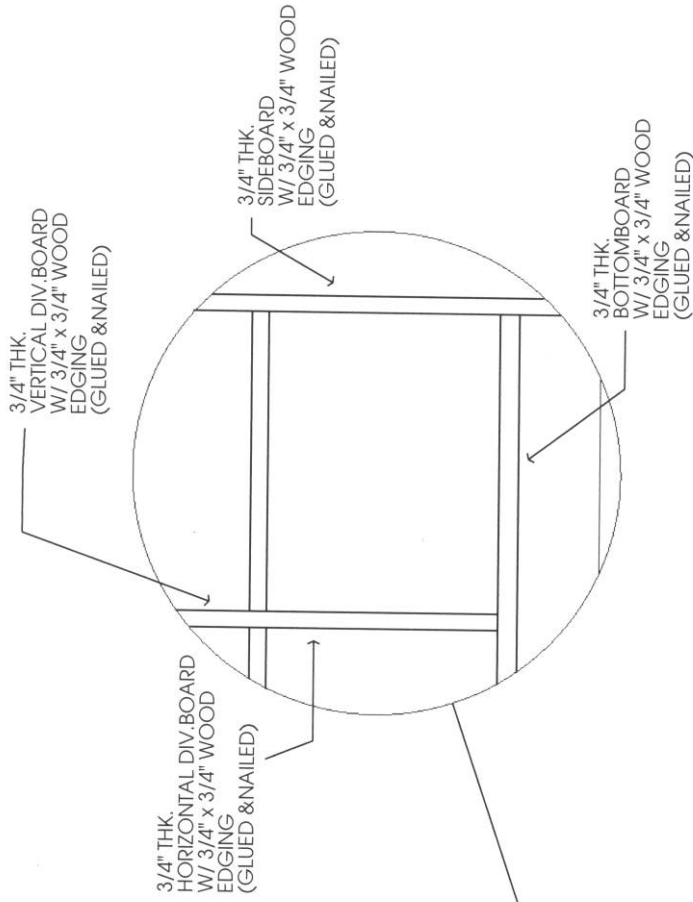
TOP SECTION VIEW
SCALE: NTS

DETAIL B
SCALE: NTS

DETAIL C
SCALE: NTS

DETAIL A
SCALE: NTS

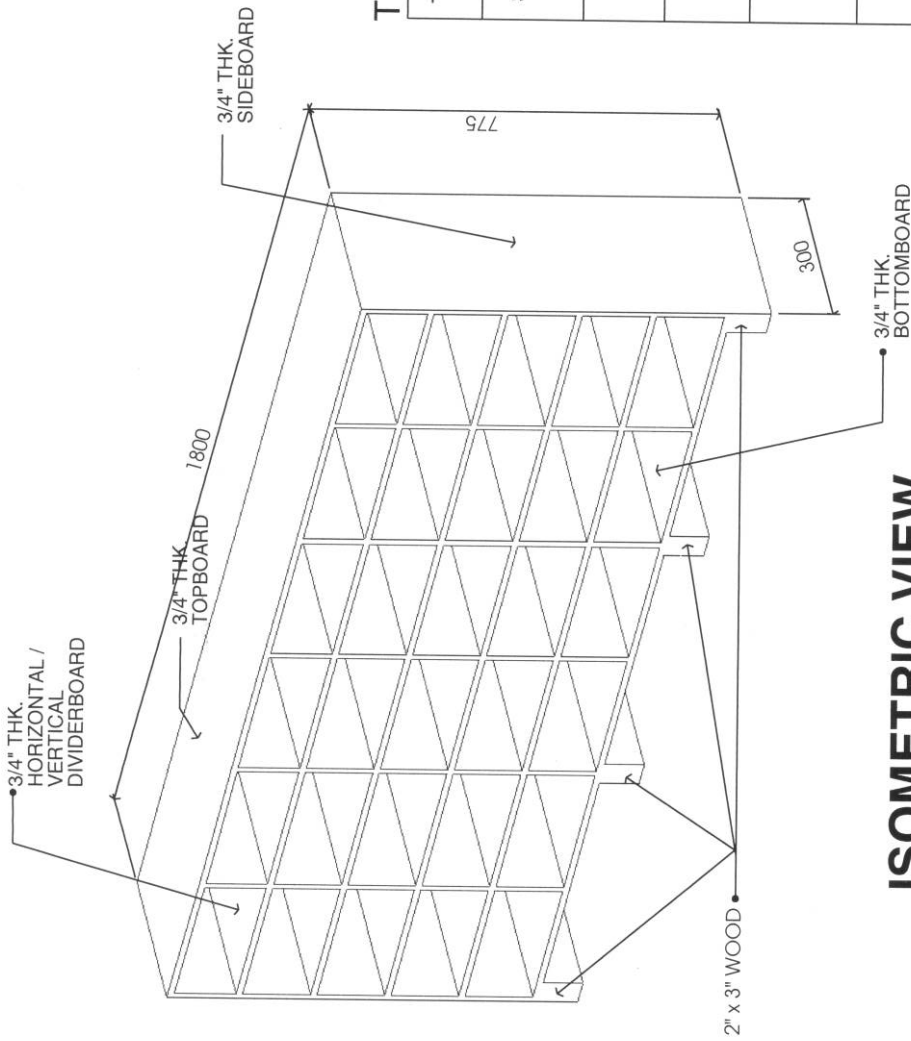
**TYPICAL DESIGN OF SHELVES
FOR PRE-SCHOOL
CY 2009 (ALL WOOD)**



DETAIL C
SCALE: NTS

FRONT VIEW
SCALE: NTS

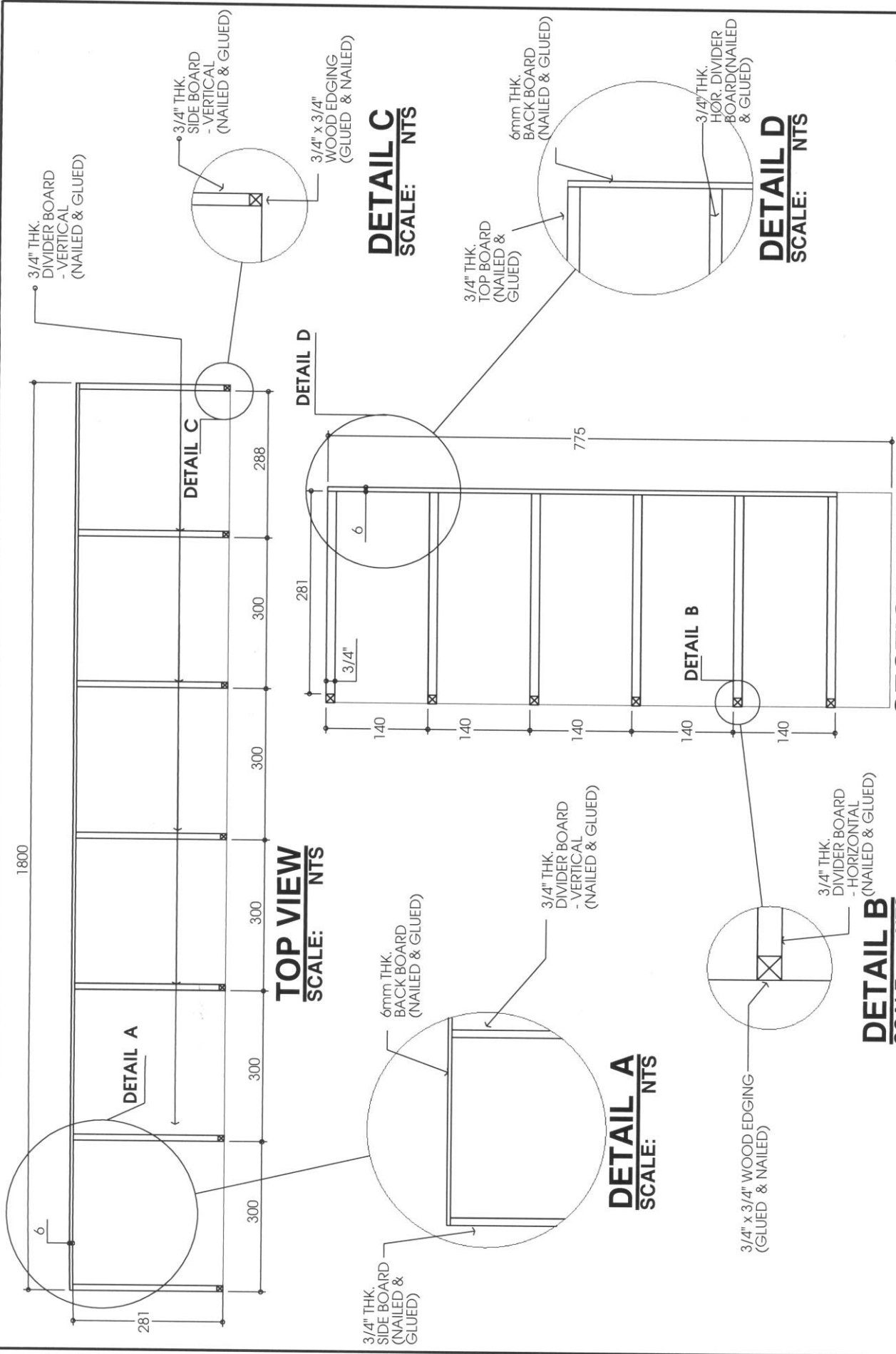
PROJECT TITLE



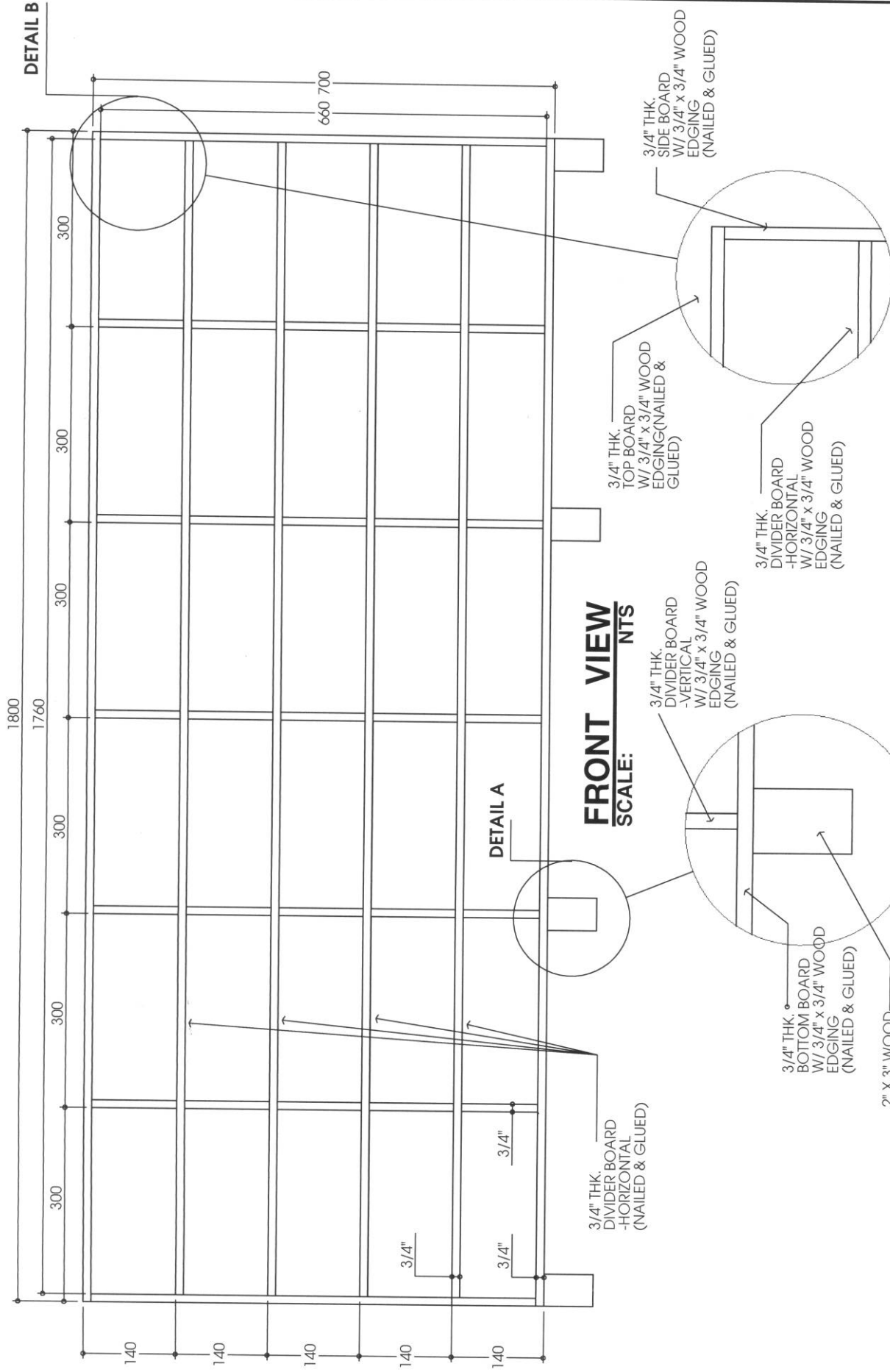
ISOMETRIC VIEW
SCALE: **NTS**

TECHNICAL SPECIFICATION

| | |
|------------------------|-----------------------------------------------------------------------------------------------------|
| TOP / BOTTOM BOARD | 281mm x 1180mm x 19mm (3/4"), PLY WOOD |
| SIDE BOARD | 2 - 281mm x 660mm x 19mm(3/4"), PLY WOOD |
| HORIZONTAL DIVIDER BRD | 4 - 281mm x 1760mm x 19mm(3/4"), PLY WOOD |
| VERTICAL DIVIDER BRD | 5 - 281mm x 660mm x 19mm(3/4"), PLY WOOD |
| FINISHES | WOOD - SMOOTH FINISH W/ AT LEAST 3 COATS FLAT WALL ENAMEL (WHITE) ALL EDGES - CONCEALED W/ PUTTY |
| WOOD EDGING | 3/4" x 3/4" |



**TYPICAL DESIGN OF SHELVES
 FOR PRE-SCHOOL
 CY 2009 (ALL WOOD)**



DETAIL B

FRONT VIEW
SCALE: NTS

DETAIL B
SCALE: NTS

DETAIL A
SCALE: NTS

**TYPICAL DESIGN OF SHELVES
FOR PRE-SCHOOL
CY 2009 (ALL WOOD)**

PROJECT TITLE



PHYSICAL FACILITIES AND SCHOOLS ENGINEERING DIVISION
DEPARTMENT OF EDUCATION - PHILIPPINES