



FEB 20 2007

DepED ORDER  
No. 12, s. 2007

2006 SCHOOL FURNITURE PROGRAM

To: Undersecretaries  
Assistant Secretaries  
Bureau Directors  
Regional Directors  
Schools Division/City Superintendents  
All Others Concerned

1. The funds for the procurement of school furniture for FY 2006 is placed at PhP1 Billion (re-enacted GAA of FY 2005). The Guidelines for the CY 2006 Implementation of the School Furniture Procurement Program are found in the enclosure. The allocation per congressional district/schools division is in Annex 1.
2. Procurement shall be in accordance with the provisions of Republic Act No. 9184 and its Implementing Rules and Regulations.
3. The Central Office shall implement the ten percent (10%) allocation for cooperatives formed by persons with disability.
4. The Regional Office shall implement the fifteen percent (15%) allocation for other cooperatives.
5. The Division Office shall implement the seventy five percent (75%) allocation for the legislative districts.
6. The school furniture to be procured should follow the DepED standard designs, specifications and dimensions found in Annex 2.
7. The list of recipient schools to be prepared by the Division Offices (in hard and soft copies) must be submitted to the Physical Facilities and Schools Engineering Division (PFSED), Office of Planning Service (OPS) via telefax no. (02) 633-7263 and (02) 638-7110 not later than February 28, 2007. Sample form to be used in the preparation of the list of recipient schools is hereto enclosed as Annex 3.
8. Prior to the conduct of public bidding, a Pre-Procurement Conference shall be conducted at the Regional Office for all procurement to be undertaken by the Regional and Division Offices to be attended by the Regional and Division Bids and Awards Committee members. The Physical Facilities and Schools Engineering Division together with the DepED Procurement Service shall participate during the conduct of the pre-procurement conference. The schedule of regional pre-procurement conference is found in Annex 4.

9. For immediate dissemination of and strict compliance with this Order is directed.



JESLI A. LAPUS  
Secretary

Encls.:

As stated

Reference:

None

Allotment: 1- -(D.O. 50-97)

To be indicated in the Perpetual Index  
under the following subjects:

✓ PROCUREMENT

✓ PROGRAMS

✓ SCHOOLS

Reformatted by: Maricar/DO-Sch. Furniture  
01-22-07

## **GUIDELINES FOR THE IMPLEMENTATION OF THE CY 2006 SCHOOL FURNITURE PROCUREMENT PROGRAM**

### **I. Fund Allocation**

The funds for the CY 2006 School Furniture Procurement Program shall be used for the procurement of tables and chairs, armchairs and teacher's table and chair and for its administration/supervision. The budgetary ceiling allocated for each congressional district is in lump sum for both elementary and secondary levels.

The computed share by congressional district/schools division for the Php900 Million nationwide allocation can be found in Annex 1.

### **II. Identification and Allocation of Recipient Schools**

- a. The division office shall prepare the list of recipient schools taking in to consideration the following prioritization:
  1. First priority shall be given to schools which are recipients of new academic classrooms under the CY 2006 School Building Program implemented by the DPWH and DepED.
  2. Second priority should be accorded to schools with high shortage of classroom seats. The results of the Basic Education Information System (BEIS) shall be used as basis in determining classroom furniture needs. Preference shall be given to schools belonging to the black, red and orange zones.
- b. The minimum number of seats to be allotted per school/classroom shall be 25 sets of tables and chairs or 50 units of armchairs per school.
- c. Each recipient school shall be provided with one (1) set of teacher's table and chair per 25 sets of tables and chairs or 50 units of armchairs.
- c. In order not to exceed the budgetary ceiling, the proposed unit cost to be adopted for purposes of computation shall be as follows:

h

c.1 All Wood Materials

a. One (1) set of elementary desk (consist of 1 table and 2 chairs) for Grades I – IV or Grades V – VI	Php2,000.00
b. One (1) unit elementary armchair for Grades V – VI	Php780.00
c. One (1) unit secondary armchair	Php780.00
d. One (1) set Teacher's Table and Chair	Php4,600.00

c.1 Combination of Wood and Steel Materials

a. One (1) set of elementary desk (consist of 1 table and 2 chairs) for Grades I – IV or Grades V – VI	Php2,000.00
b. One (1) unit elementary armchair for Grades V – VI	Php780.00
c. One (1) unit secondary armchair	Php780.00

c.2 Non-Wood Based Materials

**Note: Unit cost varies according to the materials used.**

a. One (1) unit of elementary armchair for Grades V –VI	P850.00 – P1,200.00
B. One (1) unit secondary armchair	P850.00 – P1,200.00

d. Three (3) separate list of recipient schools should be prepared using the forms in Annex 3:

- Ten percent (10%) of the allocation for cooperatives formed by persons with disability;
- Fifteen percent (15%) allocation for other types of cooperatives and;
- For the remaining Seventy five (75%) allocation

### III. Design and Specifications

- a. Tables and chairs, armchairs and teacher's table & chair shall be manufactured in accordance with the DepED standard designs and specifications.

h

- b. The Division Offices will determine the materials to be used for the school furniture to be bid in their respective divisions.
- c. The design of all wood and combination of wood and steel shall be used in the procurement of school furniture from cooperatives.

#### **IV. Procurement Methods**

- a. Procurement shall be in accordance with Republic Act No. 9184 otherwise known as the Government Procurement Reform Act and its Implementing Rules and Regulations.
- b. The seventy five percent (75%) allocation shall be procured by the Division Bids and Awards Committee through competitive bidding as provided for in R.A.9184.
- c. The fifteen percent (15%) allocation for other cooperatives shall also be undertaken by the Regional Bids and Awards Committee following provisions of R.A. 9184.
- d. The ten percent (10%) allocation for cooperatives formed by persons with disability shall be procured by the Central Office Bids and Awards Committee following R.A. 9184.
- e. Procurement of the school furniture may be contracted to arts and trade schools and other similar government technical/vocational schools which have the manufacturing capability through negotiated procurement.
- f. The Physical Facilities Schools Engineering Division may assist the Regional and Division Bids and Awards Committee in the bidding process as a member of the Technical Working Group.

#### **V. Contract Implementation and Monitoring**

- A. At the Division Level
  - a. The Division Office through the Division Supply Office shall facilitate the contract implementation for the 75% allocation and shall have the following responsibility:
    - a.1 Prepares the contract and all necessary documents.
    - a.2 Facilitates the creation of the Division Inspectorate Team and the School Inspection Committee.

- a.3 Prepares the Inspection and Acceptance Report Form to be signed by the School Inspection Committee.
  - a.4 Prepares/Reviews documents for billing/s as requested by the contractor.
  - a.5 Assists the PFSED and Regional Office personnel in the conduct of inspection/monitoring.
  - a.6 Submits monthly accomplishment report to the Physical Facilities Schools Engineering Division (PFSED) and Regional Office.
- b. The delivery of the school furniture shall be on a door-to-door basis.
  - c. A Division Inspectorate Team, to be headed by the Division Physical Facilities Coordinator, shall be created to oversee/verify the delivery and acceptance of the school furniture.
  - d. The Physical Facilities Schools Engineering Division and the Regional Office shall monitor the implementation of the school furniture procurement program of the division

B. At the Regional Office

- a. The Regional Office through the Regional Supply Office shall facilitate the contract implementation for the 15% allocation for cooperatives and shall have the following responsibility:
  - a.1 Prepares the contract and all necessary documents.
  - a.2 Facilitates the creation of the Regional Inspectorate Team.
  - a.3 Prepares the Inspection and Acceptance Report Form to be signed by the School Inspection Committee.
  - a.4 Prepares/Reviews documents for billing/s as requested by the contractor.
  - a.5 Assists the PFSED personnel in the conduct of inspection/monitoring.
  - a.6 Submits monthly accomplishment report to the Physical Facilities Schools Engineering Division (PFSED).
- b. The delivery of the school furniture shall be on a door-to-door basis.

- c. A Regional Inspectorate Team shall be created to oversee/verify the delivery and acceptance of the tables and chairs/armchairs. The Regional Physical Facilities Coordinator shall head the team.
  - d. The Physical Facilities Schools Engineering Division shall monitor the implementation of the school furniture procurement program of the region.
- C. At the Central Office
- a. The Physical Facilities Schools Engineering Division of the Office of Planning Service shall facilitate the contract implementation for the 10% allocation for cooperatives formed by persons with disabilities.
  - b. An Inspectorate Team/s shall be created to inspect and verify deliveries made by the contractor composed of personnel from the following Office:
    - 1. Physical Facilities Schools Engineering Division
    - 2. Accounting Division
    - 3. Property Division
  - c. The delivery shall be on a door-to-door basis.

# **ANNEX 1**



REGION/DIVISION/LEGISLATIVE DISTRICT	School Furniture Allocation (P000's)	75% (Regular Procurement)	15% (Other Types of Cooperatives)	10% (Cooperatives Formed by Persons With Disabilities)
<b>NATIONAL TOTAL</b>	900,000	675,000	135,000	90,000
<b>TOTAL REGION I</b>	<b>35,669</b>	<b>26,752</b>	<b>5,350.41</b>	<b>3,566.94</b>
<b>ILOCOS NORTE</b>	<b>3,590</b>	<b>2,692</b>	<b>538</b>	<b>359</b>
1ST DISTRICT (with Laoag City)	1,646	1,235	247	165
The Rest of the 1ST DISTRICT	1,102	826	165	110
<b>LAOAG CITY</b>	544	408	82	54
2ND DISTRICT	1,944	1,458	292	194
<b>ILOCOS SUR</b>	<b>5,657</b>	<b>4,243</b>	<b>849</b>	<b>566</b>
1ST DISTRICT	2,206	1,654	331	221
The Rest of the 1ST DISTRICT	1,340	1,005	201	134
<b>VIGAN CITY</b>	866	650	130	87
2ND DISTRICT	3,451	2,588	518	345
The Rest of the 2ND DISTRICT	2,684	2,013	403	268
<b>CANDON CITY</b>	767	575	115	77
<b>LA UNION</b>	<b>4,559</b>	<b>3,419</b>	<b>684</b>	<b>456</b>
1ST DISTRICT	1,938	1,453	291	194
2ND DISTRICT	2,621	1,966	393	262
<b>PANGASINAN</b>	<b>21,864</b>	<b>16,398</b>	<b>3,280</b>	<b>2,186</b>
1ST DISTRICT (with Alaminos City)	3,418	2,563	513	342
The Rest of the 1ST DISTRICT	2,311	1,733	347	231
<b>ALAMINOS CITY</b>	1,107	830	166	111
2ND DISTRICT	3,225	2,419	484	323
3RD DISTRICT (with San Carlos City)	3,619	2,714	543	362
The Rest of the 3RD DISTRICT	2,610	1,957	391	261
<b>SAN CARLOS CITY</b>	1,009	757	151	101
4TH DISTRICT (with Dagupan City)	2,394	1,795	359	239
The Rest of the 4TH DISTRICT	1,544	1,158	232	154
<b>DAGUPAN CITY</b>	850	637	127	85
5TH DISTRICT (with Urdaneta City)	4,790	3,593	719	479
The Rest of the 5TH DISTRICT	4,061	3,046	609	406
<b>URDANETA CITY</b>	729	547	109	73
6TH DISTRICT	4,418	3,313	663	442

h

REGION/DIVISION/LEGISLATIVE DISTRICT	School Furniture Allocation (P000's)	75% (Regular Procurement)	15% (Other Types of Cooperatives)	10% (Cooperatives Formed by Persons With Disabilities)
<b>NATIONAL TOTAL</b>	<b>900,000</b>	<b>675,000</b>	<b>135,000</b>	<b>90,000</b>
<b>TOTAL REGION II</b>	<b>31,523</b>	<b>23,642</b>	<b>4,728</b>	<b>3,153</b>
<b>BATANES (LONE DIST.)</b>	<b>100</b>	<b>75</b>	<b>15</b>	<b>10</b>
<b>CAGAYAN</b>	<b>14,423</b>	<b>10,817</b>	<b>2,163</b>	<b>1,442</b>
1ST DISTRICT	3,831	2,873	575	383
2ND DISTRICT	5,888	4,416	883	589
3RD DISTRICT (with Tuguegarao City)	4,704	3,528	706	470
The Rest of the 3RD DISTRICT	3,335	2,501	500	334
<b>TUGUEGARAO CITY</b>	<b>1,369</b>	<b>1,027</b>	<b>205</b>	<b>137</b>
<b>ISABELA</b>	<b>12,271</b>	<b>9,203</b>	<b>1,841</b>	<b>1,227</b>
1ST DISTRICT	3,638	2,729	546	364
2ND DISTRICT	3,157	2,368	474	312
3RD DISTRICT	3,158	2,368	474	312
4TH DISTRICT	2,318	1,738	348	232
<b>NUEVA VIZCAYA (Lone District)</b>	<b>2,949</b>	<b>2,212</b>	<b>442</b>	<b>295</b>
<b>QUIRINO (Lone District)</b>	<b>1,781</b>	<b>1,336</b>	<b>267</b>	<b>178</b>

h

REGION/DIVISION/LEGISLATIVE DISTRICT	School Furniture Allocation (P000's)	75% (Regular Procurement)	15% (Other Types of Cooperatives)	10% (Cooperatives Formed by Persons With Disabilities)
<b>NATIONAL TOTAL</b>	<b>900,000</b>	<b>675,000</b>	<b>135,000</b>	<b>90,000</b>
<b>TOTAL REGION III</b>	<b>61,171</b>	<b>45,878</b>	<b>9,176</b>	<b>6,117</b>
<b>AURORA (Lone District)</b>	<b>1,812</b>	<b>1,359</b>	<b>272</b>	<b>181</b>
<b>BATAAN</b>	<b>4,820</b>	<b>3,615</b>	<b>723</b>	<b>482</b>
1ST DISTRICT	1,695	1,271	254	170
2ND DISTRICT (with Balanga City)	3,125	2,344	469	313
The Rest of the 2ND DISTRICT	2,048	1,536	307	205
<b>BALANGA CITY</b>	<b>1,077</b>	<b>808</b>	<b>162</b>	<b>108</b>
<b>BULACAN</b>	<b>13,407</b>	<b>10,055</b>	<b>2,011</b>	<b>1,341</b>
1ST DISTRICT	3,240	2,430	486	324
The Rest of the 1ST DISTRICT	2,204	1,653	331	220
<b>MALOLOS CITY</b>	<b>1,036</b>	<b>777</b>	<b>155</b>	<b>104</b>
2ND DISTRICT	3,040	2,280	456	304
3RD DISTRICT	2,465	1,849	370	247
4TH DISTRICT (with San Jose del Monte City)	4,662	3,497	699	466
The Rest of the 4TH DISTRICT	2,766	2,074	415	277
<b>SAN JOSE DEL MONTE CITY</b>	<b>1,897</b>	<b>1,423</b>	<b>285</b>	<b>190</b>
<b>NUEVA ECIJA</b>	<b>15,141</b>	<b>11,356</b>	<b>2,271</b>	<b>1,514</b>
1ST DISTRICT	3,123	2,342	468	312
2ND DISTRICT (with Muñoz Science City)	3,435	2,576	515	344
The Rest of the 2ND DISTRICT	1,867	1,401	280	187
<b>MOÑUZ SCIENCE CITY</b>	<b>1,568</b>	<b>1,176</b>	<b>235</b>	<b>157</b>
3RD DISTRICT (with Cabanatuan City)	3,275	2,456	491	327
The Rest of the 3RD DISTRICT	1,869	1,402	280	187
<b>CABANATUAN CITY</b>	<b>1,406</b>	<b>1,054</b>	<b>211</b>	<b>141</b>
4TH DISTRICT (with Gapan City)	5,308	3,981	796	531
The Rest of the 4TH DISTRICT	2,485	1,864	373	249
<b>GAPAN CITY</b>	<b>2,823</b>	<b>2,117</b>	<b>423</b>	<b>282</b>
<b>PAMPANGA</b>	<b>13,179</b>	<b>9,884</b>	<b>1,977</b>	<b>1,318</b>
1ST DISTRICT (with Angeles City)	3,138	2,354	471	314
The Rest of the 1ST DISTRICT	1,558	1,168	234	156
<b>ANGELES CITY</b>	<b>1,581</b>	<b>1,186</b>	<b>237</b>	<b>158</b>
2ND DISTRICT	2,726	2,044	409	273
3RD DISTRICT (with San Fernando City)	4,033	3,025	605	403
The Rest of the 3RD DISTRICT	2,676	2,007	401	268
<b>SAN FERNANDO CITY</b>	<b>1,357</b>	<b>1,018</b>	<b>204</b>	<b>136</b>
4TH DISTRICT	3,282	2,462	492	328
<b>TARLAC</b>	<b>7,571</b>	<b>5,678</b>	<b>1,136</b>	<b>757</b>
1ST DISTRICT	2,967	2,226	445	297
2ND DISTRICT (with Tarlac City)	2,610	1,957	391	261
The Rest of the 2ND DISTRICT	962	721	144	96
<b>TARLAC CITY</b>	<b>1,648</b>	<b>1,236</b>	<b>247</b>	<b>165</b>
3RD DISTRICT	1,994	1,496	299	199
<b>ZAMBALES</b>	<b>5,239</b>	<b>3,929</b>	<b>786</b>	<b>524</b>
1ST DISTRICT (with Olongapo City)	1,991	1,493	299	199
The Rest of the 1ST DISTRICT	805	604	121	81
<b>OLONGAPO CITY</b>	<b>1,186</b>	<b>889</b>	<b>178</b>	<b>119</b>
2ND DISTRICT	3,248	2,436	487	325

REGION/DIVISION/LEGISLATIVE DISTRICT	School Furniture Allocation (P000's)	75% (Regular Procurement)	15% (Other Types of Cooperatives)	10% (Cooperatives Formed by Persons With Disabilities)
<b>NATIONAL TOTAL</b>	<b>900,000</b>	<b>675,000</b>	<b>135,000</b>	<b>90,000</b>
<b>TOTAL REGION IV-A</b>	<b>72,512</b>	<b>54,384</b>	<b>10,877</b>	<b>7,251</b>
<b>BATANGAS</b>	<b>13,013</b>	<b>9,759</b>	<b>1,952</b>	<b>1,301</b>
1ST DISTRICT	2,775	2,081	416	278
2ND DISTRICT (with Batangas City)	3,247	2,435	487	325
The Rest of the 2ND DISTRICT	1,731	1,298	260	173
<b>BATANGAS CITY</b>	<b>1,516</b>	<b>1,137</b>	<b>227</b>	<b>152</b>
3RD DISTRICT (with Tanauan City)	3,681	2,761	552	368
The Rest of the 3RD DISTRICT	2,959	2,219	444	296
<b>TANAUAN CITY</b>	<b>722</b>	<b>541</b>	<b>108</b>	<b>72</b>
4TH DISTRICT (with Lipa City)	3,309	2,482	496	331
The Rest of the 4TH DISTRICT	1,970	1,477	295	197
<b>LIPA CITY</b>	<b>1,339</b>	<b>1,004</b>	<b>201</b>	<b>134</b>
<b>CAVITE</b>	<b>11,957</b>	<b>8,968</b>	<b>1,794</b>	<b>1,196</b>
1ST DISTRICT (with Cavite City)	3,338	2,503	501	334
The Rest of the 1ST DISTRICT	2,760	2,070	414	276
<b>CAVITE CITY</b>	<b>577</b>	<b>433</b>	<b>87</b>	<b>58</b>
2ND DISTRICT	5,783	4,337	867	578
3RD DISTRICT	2,837	2,128	426	284
<b>LAGUNA</b>	<b>13,950</b>	<b>10,463</b>	<b>2,093</b>	<b>1,395</b>
1ST DISTRICT	3,632	2,724	545	363
2ND DISTRICT (with Calamba City)	3,239	2,429	486	324
The Rest of the 2ND DISTRICT	1,586	1,189	238	159
<b>CALAMBA CITY</b>	<b>1,653</b>	<b>1,240</b>	<b>248</b>	<b>165</b>
3RD DISTRICT (with San Pablo City)	3,025	2,269	454	303
The Rest of the 3RD DISTRICT	1,802	1,351	270	180
<b>SAN PABLO CITY</b>	<b>1,223</b>	<b>918</b>	<b>184</b>	<b>122</b>
4TH DISTRICT	4,055	3,041	608	405
<b>QUEZON</b>	<b>17,519</b>	<b>13,139</b>	<b>2,628</b>	<b>1,752</b>
1ST DISTRICT	2,735	2,051	410	273
2ND DISTRICT (with Lucena City)	4,142	3,107	621	414
The Rest of the 2ND DISTRICT	2,928	2,196	439	293
<b>LUCENA CITY</b>	<b>1,214</b>	<b>910</b>	<b>182</b>	<b>121</b>
3RD DISTRICT	7,190	5,393	1,079	719
4TH DISTRICT	3,452	2,589	518	345
<b>RIZAL</b>	<b>16,073</b>	<b>12,055</b>	<b>2,411</b>	<b>1,607</b>
1ST DISTRICT	4,219	3,164	633	422
2ND DISTRICT	6,836	5,127	1,025	684
<b>ANTIPOLO CITY (Lone District)</b>	<b>5,018</b>	<b>3,764</b>	<b>753</b>	<b>502</b>
1ST DISTRICT	2,788	2,091	418	279
2ND DISTRICT	2,231	1,673	335	223

16

REGION/DIVISION/LEGISLATIVE DISTRICT	School Furniture Allocation (P000's)	75% (Regular Procurement)	15% (Other Types of Cooperatives)	10% (Cooperatives Formed by Persons With Disabilities)
<b>NATIONAL TOTAL</b>	<b>900,000</b>	<b>675,000</b>	<b>135,000</b>	<b>90,000</b>
<b>TOTAL REGION IV-B</b>	<b>32,680</b>	<b>24,510</b>	<b>4,902</b>	<b>3,268</b>
<b>MARINDUQUE (Lone District)</b>	<b>2,104</b>	<b>1,578</b>	<b>316</b>	<b>210</b>
<b>OCCIDENTAL MINDORO (Lone District)</b>	<b>7,060</b>	<b>5,295</b>	<b>1,059</b>	<b>706</b>
<b>ORIENTAL MINDORO</b>	<b>10,061</b>	<b>7,545</b>	<b>1,509</b>	<b>1,006</b>
1ST DISTRICT (with Calapan City)	6,921	5,191	1,038	692
The Rest of the 1ST DISTRICT	3,636	2,727	545	364
<b>CALAPAN CITY</b>	<b>3,286</b>	<b>2,464</b>	<b>493</b>	<b>329</b>
2ND DISTRICT	3,139	2,354	471	314
<b>PALAWAN</b>	<b>6,900</b>	<b>5,175</b>	<b>1,035</b>	<b>690</b>
1ST DISTRICT	3,236	2,427	485	324
2ND DISTRICT (with Puerto Princesa City)	3,664	2,748	550	366
The Rest of the 2ND DISTRICT	2,408	1,806	361	241
<b>PUERTO PRINCESA CITY</b>	<b>1,255</b>	<b>941</b>	<b>188</b>	<b>126</b>
<b>ROMBLON (Lone District)</b>	<b>6,556</b>	<b>4,917</b>	<b>983</b>	<b>656</b>

1

REGION/DIVISION/LEGISLATIVE DISTRICT	School Furniture Allocation (P000's)	75% (Regular Procurement)	15% (Other Types of Cooperatives)	10% (Cooperative Formed by Persons With Disabilities)
<b>NATIONAL TOTAL</b>	<b>900,000</b>	<b>675,000</b>	<b>135,000</b>	<b>90,000</b>
<b>TOTAL REGION V</b>	<b>98,738</b>	<b>74,053</b>	<b>14,811</b>	<b>9,874</b>
<b>ALBAY</b>	<b>21,269</b>	<b>15,951</b>	<b>3,190</b>	<b>2,127</b>
1ST DISTRICT (with Tabaco City)	9,203	6,902	1,380	920
The Rest of the 1ST DISTRICT	3,578	2,684	537	358
<b>TABACO CITY</b>	<b>5,625</b>	<b>4,219</b>	<b>844</b>	<b>562</b>
2ND DISTRICT (with Legazpi City)	4,274	3,205	641	427
The Rest of the 2ND DISTRICT	3,099	2,324	465	310
<b>LEGAZPI CITY</b>	<b>1,174</b>	<b>881</b>	<b>176</b>	<b>117</b>
3RD DISTRICT (with Ligao City)	7,792	5,844	1,169	779
The Rest of the 3RD DISTRICT	3,149	2,362	472	315
<b>LIGAO CITY</b>	<b>4,643</b>	<b>3,482</b>	<b>696</b>	<b>464</b>
<b>CAMARINES NORTE (Lone District)</b>	<b>6,859</b>	<b>5,144</b>	<b>1,029</b>	<b>686</b>
<b>CAMARINES SUR</b>	<b>27,506</b>	<b>20,629</b>	<b>4,126</b>	<b>2,751</b>
1ST DISTRICT	7,779	5,834	1,167	778
2ND DISTRICT (with Naga City)	5,304	3,978	796	530
The Rest of the 2ND DISTRICT	4,315	3,236	647	431
<b>NAGA CITY</b>	<b>990</b>	<b>742</b>	<b>148</b>	<b>99</b>
3RD DISTRICT	9,092	6,819	1,364	909
4TH DISTRICT (with Iriga City)	5,330	3,998	800	533
The Rest of the 4TH DISTRICT	4,689	3,517	703	469
<b>IRIGA CITY</b>	<b>641</b>	<b>480</b>	<b>96</b>	<b>64</b>
<b>CATANDUANES (Lone District)</b>	<b>5,489</b>	<b>4,117</b>	<b>823</b>	<b>549</b>
<b>MASBATE</b>	<b>20,352</b>	<b>15,264</b>	<b>3,053</b>	<b>2,035</b>
1ST DISTRICT	6,109	4,582	916	611
2ND DISTRICT (with Masbate City)	7,916	5,937	1,187	792
The Rest of the 2ND DISTRICT	4,306	3,229	646	431
<b>MASBATE CITY</b>	<b>3,611</b>	<b>2,708</b>	<b>542</b>	<b>361</b>
3RD DISTRICT	6,326	4,744	949	633
<b>SORSOGON</b>	<b>17,263</b>	<b>12,948</b>	<b>2,590</b>	<b>1,727</b>
1ST DISTRICT (with Sorsogon City)	11,933	8,949	1,790	1,193
The Rest of the 1ST DISTRICT	5,782	4,336	867	578
<b>SORSOGON CITY</b>	<b>6,151</b>	<b>4,613</b>	<b>923</b>	<b>615</b>
2ND DISTRICT	5,331	3,998	800	533

REGION/DIVISION/LEGISLATIVE DISTRICT	School Furniture Allocation (P000's)	75% (Regular Procurement)	15% (Other Types of Cooperatives)	10% (Cooperatives Formed by Persons With Disabilities)
<b>NATIONAL TOTAL</b>	<b>900,000</b>	<b>675,000</b>	<b>135,000</b>	<b>90,000</b>
<b>TOTAL REGION VI</b>	<b>135,426</b>	<b>101,570</b>	<b>20,314</b>	<b>13,543</b>
<b>AKLAN (Lone District)</b>	<b>11,662</b>	<b>8,746</b>	<b>1,749</b>	<b>1,166</b>
<b>ANTIQUE (Lone District)</b>	<b>8,022</b>	<b>6,017</b>	<b>1,203</b>	<b>802</b>
<b>CAPIZ</b>	<b>12,633</b>	<b>9,475</b>	<b>1,895</b>	<b>1,263</b>
1ST DISTRICT (with Roxas City)	5,330	3,997	799	533
The Rest of the 1ST DISTRICT	4,459	3,344	669	446
<b>ROXAS CITY</b>	<b>871</b>	<b>653</b>	<b>131</b>	<b>87</b>
2ND DISTRICT	7,303	5,477	1,095	730
<b>ILOILO</b>	<b>78,154</b>	<b>58,616</b>	<b>11,723</b>	<b>7,815</b>
1ST DISTRICT	13,173	9,879	1,976	1,317
2ND DISTRICT	13,341	10,005	2,001	1,334
3RD DISTRICT	13,153	9,865	1,973	1,315
4TH DISTRICT (with Passi City)	12,612	9,459	1,892	1,261
The Rest of the 4TH DISTRICT	10,329	7,747	1,549	1,033
<b>PASSI CITY</b>	<b>2,283</b>	<b>1,712</b>	<b>342</b>	<b>228</b>
5TH DISTRICT	25,754	19,316	3,863	2,575
ILOILO NHS	122	91	18	12
<b>NEGROS OCCIDENTAL</b>	<b>18,632</b>	<b>13,974</b>	<b>2,795</b>	<b>1,863</b>
1ST DISTRICT (with San Carlos City)	3,915	2,936	587	392
The Rest of the 1ST DISTRICT	3,075	2,306	461	307
<b>SAN CARLOS CITY</b>	<b>841</b>	<b>631</b>	<b>126</b>	<b>84</b>
2ND DISTRICT (with Cadiz City & Sagay City)	2,283	1,712	342	228
The Rest of the 2ND DISTRICT	353	264	53	35
<b>CADIZ CITY</b>	<b>1,008</b>	<b>756</b>	<b>151</b>	<b>101</b>
<b>SAGAY CITY</b>	<b>923</b>	<b>692</b>	<b>138</b>	<b>92</b>
3RD DISTRICT (w Silay City & Negros Occ. HS)	3,615	2,711	542	361
The Rest of the 3RD DISTRICT	2,686	2,015	403	269
<b>SILAY CITY</b>	<b>766</b>	<b>575</b>	<b>115</b>	<b>77</b>
4TH DISTRICT (with Bago & La Carlota City)	2,628	1,971	394	263
The Rest of the 4TH DISTRICT	1,219	914	183	122
<b>BAGO CITY</b>	<b>1,008</b>	<b>756</b>	<b>151</b>	<b>101</b>
<b>LA CARLOTA CITY</b>	<b>401</b>	<b>301</b>	<b>60</b>	<b>40</b>
5TH DISTRICT	2,591	1,943	389	259
6TH DISTRICT (with Kabankalan City)	3,600	2,700	540	360
The Rest of the 6TH DISTRICT	2,535	1,902	380	254
<b>KABANKALAN CITY</b>	<b>1,065</b>	<b>798</b>	<b>160</b>	<b>106</b>
NEGROS OCC. HS (3rd Dist of Negros Occ.)	162	122	24	16
<b>GUIMARAS (Lone District)</b>	<b>1,723</b>	<b>1,292</b>	<b>258</b>	<b>172</b>
<b>BACOLOD CITY (Lone District)</b>	<b>2,543</b>	<b>1,907</b>	<b>381</b>	<b>254</b>
<b>ILOILO CITY (Lone District)</b>	<b>2,057</b>	<b>1,543</b>	<b>309</b>	<b>206</b>

h

REGION/DIVISION/LEGISLATIVE DISTRICT	School Furniture Allocation (P000's)	75% (Regular Procurement)	15% (Other Types of Cooperatives)	10% (Cooperatives Formed by Persons With Disabilities)
<b>NATIONAL TOTAL</b>	<b>900,000</b>	<b>675,000</b>	<b>135,000</b>	<b>90,000</b>
<b>TOTAL REGION VII</b>	<b>64,133</b>	<b>48,100</b>	<b>9,620</b>	<b>6,413</b>
<b>BOHOL</b>	<b>18,644</b>	<b>13,983</b>	<b>2,797</b>	<b>1,864</b>
1ST DISTRICT (with Tagbilaran City)	3,831	2,873	575	383
The Rest of the 1ST DISTRICT	3,302	2,477	495	330
<b>TAGBILARAN CITY</b>	<b>529</b>	<b>396</b>	<b>79</b>	<b>53</b>
2ND DISTRICT	7,459	5,595	1,119	746
3RD DISTRICT	7,354	5,515	1,103	735
<b>CEBU</b>	<b>26,168</b>	<b>19,626</b>	<b>3,925</b>	<b>2,617</b>
1ST DISTRICT (with Talisay City)	5,773	4,330	866	577
The Rest of the 1ST DISTRICT	2,212	1,659	332	221
<b>TALISAY CITY</b>	<b>3,562</b>	<b>2,671</b>	<b>534</b>	<b>356</b>
2ND DISTRICT	4,263	3,198	640	426
3RD DISTRICT (with Toledo City)	3,668	2,751	550	367
The Rest of the 3RD DISTRICT	2,689	2,017	403	269
<b>TOLEDO CITY</b>	<b>979</b>	<b>734</b>	<b>147</b>	<b>98</b>
4TH DISTRICT	3,532	2,649	530	353
5TH DISTRICT (with Danao City)	4,760	3,570	714	476
The Rest of the 5TH DISTRICT	4,081	3,061	612	408
<b>DANA O CITY</b>	<b>679</b>	<b>509</b>	<b>102</b>	<b>68</b>
6TH DISTRICT (w/ Lapu-Lapu & Mandaue City)	4,171	3,128	626	417
The Rest of the 6TH DISTRICT	912	684	137	91
<b>LAPU-LAPU CITY</b>	<b>1,799</b>	<b>1,349</b>	<b>270</b>	<b>180</b>
<b>MANDAUE CITY</b>	<b>1,460</b>	<b>1,095</b>	<b>219</b>	<b>146</b>
<b>CEBU CITY</b>	<b>5,668</b>	<b>4,251</b>	<b>850</b>	<b>567</b>
1ST DISTRICT	2,669	2,002	400	267
2ND DISTRICT	2,999	2,249	450	300
<b>NEGROS ORIENTAL</b>	<b>12,614</b>	<b>9,461</b>	<b>1,892</b>	<b>1,261</b>
1ST DISTRICT	3,029	2,272	454	303
2ND DISTRICT (w/ Bais City, Dumaguete & Tanjaya)	4,943	3,707	741	494
The Rest of the 2ND DISTRICT	2,323	1,742	348	232
<b>BAIS CITY</b>	<b>470</b>	<b>352</b>	<b>70</b>	<b>47</b>
<b>DUMAGUETE CITY</b>	<b>712</b>	<b>534</b>	<b>107</b>	<b>71</b>
<b>TANJAYA CITY</b>	<b>1,438</b>	<b>1,078</b>	<b>216</b>	<b>144</b>
3RD DISTRICT (with Bayawan City)	4,643	3,482	696	464
The Rest of the 3RD DISTRICT	2,207	1,655	331	221
<b>BAYAWAN CITY</b>	<b>2,436</b>	<b>1,827</b>	<b>365</b>	<b>244</b>
<b>SILIGUON (Lone District)</b>	<b>1,040</b>	<b>780</b>	<b>156</b>	<b>104</b>

h



REGION/DIVISION/LEGISLATIVE DISTRICT	School Furniture Allocation (P000's)	75% (Regular Procurement)	15% (Other Types of Cooperatives)	10% (Cooperatives Formed by Persons With Disabilities)
<b>NATIONAL TOTAL</b>	900,000	675,000	135,000	90,000
<b>TOTAL REGION VIII</b>	<b>51,778</b>	<b>38,833</b>	<b>7,767</b>	<b>5,178</b>
<b>BILIRAN (Lone District)</b>	<b>2,688</b>	<b>2,016</b>	<b>403</b>	<b>269</b>
<b>LEYTE</b>	<b>19,324</b>	<b>14,493</b>	<b>2,899</b>	<b>1,932</b>
1ST DISTRICT (with Tacloban City)	3,550	2,663	533	355
The Rest of the 1ST DISTRICT	2,286	1,715	343	229
<b>TACLOBAN CITY</b>	<b>1,264</b>	<b>948</b>	<b>190</b>	<b>126</b>
2ND DISTRICT	6,062	4,547	909	606
3RD DISTRICT	3,758	2,818	564	376
4TH DISTRICT (with Ormoc City)	2,596	1,947	389	260
The Rest of the 4TH DISTRICT	1,495	1,121	224	150
<b>ORMOC CITY</b>	<b>1,101</b>	<b>826</b>	<b>165</b>	<b>110</b>
5TH DISTRICT	3,357	2,518	504	336
<b>SOUTHERN LEYTE (Lone District)</b>	<b>4,146</b>	<b>3,110</b>	<b>622</b>	<b>415</b>
<b>EASTERN SAMAR (Lone District)</b>	<b>5,142</b>	<b>3,857</b>	<b>771</b>	<b>514</b>
<b>NORTHERN SAMAR</b>	<b>9,721</b>	<b>7,290</b>	<b>1,458</b>	<b>972</b>
1ST DISTRICT	4,036	3,027	605	404
2ND DISTRICT	5,685	4,264	853	568
<b>WESTERN SAMAR</b>	<b>9,846</b>	<b>7,385</b>	<b>1,477</b>	<b>985</b>
1ST DISTRICT (with Calbayog City)	3,825	2,869	574	383
The Rest of the 1ST DISTRICT	2,764	2,073	415	276
<b>CALBAYOG CITY</b>	<b>1,061</b>	<b>796</b>	<b>159</b>	<b>106</b>
2ND DISTRICT	6,021	4,516	903	602
<b>MAASIN CITY</b>	<b>911</b>	<b>683</b>	<b>137</b>	<b>91</b>

h

REGION/DIVISION/LEGISLATIVE DISTRICT	School Furniture Allocation (P000's)	75% (Regular Procurement)	15% (Other Types of Cooperatives)	10% (Cooperatives Formed by Persons With Disabilities)
<b>NATIONAL TOTAL</b>	<b>900,000</b>	<b>675,000</b>	<b>135,000</b>	<b>90,000</b>
<b>TOTAL REGION IX</b>	<b>40,613</b>	<b>30,460</b>	<b>6,092</b>	<b>4,061</b>
<b>ZAMBOANGA DEL NORTE</b>	<b>6,202</b>	<b>4,652</b>	<b>930</b>	<b>620</b>
1ST DISTRICT (with Dapitan City)	1,761	1,321	264	176
The Rest of the 1ST DISTRICT	1,279	959	192	128
<b>DAPITAN CITY</b>	<b>483</b>	<b>362</b>	<b>72</b>	<b>48</b>
2ND DISTRICT (with Dipolog City)	2,395	1,796	359	239
The Rest of the 2ND DISTRICT	1,694	1,270	254	169
<b>DIPOLOG CITY</b>	<b>701</b>	<b>526</b>	<b>105</b>	<b>70</b>
3RD DISTRICT	2,046	1,535	307	205
<b>ZAMBOANGA DEL SUR</b>	<b>27,841</b>	<b>20,881</b>	<b>4,176</b>	<b>2,784</b>
1ST DISTRICT (with Pagadian City)	5,895	4,421	884	589
The Rest of the 1ST DISTRICT	4,837	3,628	726	484
<b>PAGADIAN CITY</b>	<b>1,058</b>	<b>793</b>	<b>159</b>	<b>106</b>
2ND DISTRICT	8,445	6,334	1,267	845
<b>3RD DISTRICT-ZAMBOANGA SIBUGAY</b>	<b>13,501</b>	<b>10,126</b>	<b>2,025</b>	<b>1,350</b>
<b>ZAMBOANGA CITY (Lone District)</b>	<b>3,964</b>	<b>2,973</b>	<b>595</b>	<b>396</b>
<b>ISABELA CITY</b>	<b>2,605</b>	<b>1,954</b>	<b>391</b>	<b>261</b>

6

REGION/DIVISION/LEGISLATIVE DISTRICT	School Furniture Allocation (P000's)	75% (Regular Procurement)	15% (Other Types of Cooperatives)	10% (Cooperatives Formed by Persons With Disabilities)
<b>NATIONAL TOTAL</b>	<b>900,000</b>	<b>675,000</b>	<b>135,000</b>	<b>90,000</b>
<b>TOTAL REGION X</b>	<b>60,690</b>	<b>45,518</b>	<b>9,104</b>	<b>6,069</b>
<b>BUKIDNON</b>	<b>16,651</b>	<b>12,488</b>	<b>2,498</b>	<b>1,665</b>
1ST DISTRICT	3,190	2,393	479	319
2ND DISTRICT	10,175	7,631	1,526	1,018
The Rest of the 2ND DISTRICT	4,058	3,043	609	406
<b>VALENCIA CITY</b>	<b>6,117</b>	<b>4,588</b>	<b>918</b>	<b>612</b>
3RD DISTRICT	3,286	2,464	493	329
<b>CAMIGUIN (Lone District)</b>	<b>1,797</b>	<b>1,347</b>	<b>269</b>	<b>180</b>
<b>LANAO DEL NORTE</b>	<b>10,822</b>	<b>8,116</b>	<b>1,623</b>	<b>1,082</b>
1ST DISTRICT (with Iligan City)	5,012	3,759	752	501
The Rest of the 1ST DISTRICT	2,982	2,237	447	298
<b>ILIGAN CITY</b>	<b>2,030</b>	<b>1,522</b>	<b>304</b>	<b>203</b>
2ND DISTRICT	5,810	4,358	872	581
<b>MISAMIS OCCIDENTAL</b>	<b>19,581</b>	<b>14,686</b>	<b>2,937</b>	<b>1,958</b>
1ST DISTRICT (with Oroquieta City)	3,143	2,357	471	314
The Rest of the 1ST DISTRICT	2,702	2,026	405	270
<b>OROQUIETA CITY</b>	<b>441</b>	<b>331</b>	<b>66</b>	<b>44</b>
2ND DISTRICT (with Ozamis City and Tangub City)	16,438	12,328	2,466	1,644
The Rest of the 2ND DISTRICT	14,621	10,966	2,193	1,462
<b>OZAMIS CITY</b>	<b>1,256</b>	<b>942</b>	<b>188</b>	<b>126</b>
<b>TANGUB CITY</b>	<b>561</b>	<b>421</b>	<b>84</b>	<b>56</b>
<b>MISAMIS ORIENTAL</b>	<b>8,874</b>	<b>6,656</b>	<b>1,331</b>	<b>887</b>
1ST DISTRICT (with Gingoog City)	4,557	3,418	684	456
The Rest of the 1ST DISTRICT	3,854	2,890	578	385
<b>GINGOOG CITY</b>	<b>704</b>	<b>528</b>	<b>106</b>	<b>70</b>
2ND DISTRICT	4,317	3,238	648	432
<b>CAGAYAN DE ORO CITY (Lone District)</b>	<b>2,965</b>	<b>2,224</b>	<b>445</b>	<b>297</b>

h

REGION/DIVISION/LEGISLATIVE DISTRICT	School Furniture Allocation (P000's)	75% (Regular Procurement)	15% (Other Types of Cooperatives)	10% (Cooperatives Formed by Persons With Disabilities)
<b>NATIONAL TOTAL</b>	<b>900,000</b>	<b>675,000</b>	<b>135,000</b>	<b>90,000</b>
<b>TOTAL REGION XI</b>	<b>39,122</b>	<b>29,342</b>	<b>5,868</b>	<b>3,912</b>
<b>COMPOSTELA VALLEY</b>	<b>4,237</b>	<b>3,178</b>	<b>636</b>	<b>423</b>
1ST DISTRICT	1,932	1,449	290	193
2ND DISTRICT	2,305	1,729	346	230
<b>DAVAO DEL NORTE</b>	<b>11,744</b>	<b>8,808</b>	<b>1,762</b>	<b>1,174</b>
1ST DISTRICT (with Tagum City)	2,542	1,907	381	254
The Rest of the 1ST DISTRICT	1,310	982	196	131
<b>TAGUM CITY</b>	<b>1,232</b>	<b>924</b>	<b>185</b>	<b>123</b>
2ND DISTRICT (with Panabo City)	9,202	6,902	1,380	920
The Rest of the 2ND DISTRICT	1,095	821	164	109
<b>IGACOS</b>	<b>2,768</b>	<b>2,076</b>	<b>415</b>	<b>277</b>
<b>PANABO CITY</b>	<b>5,338</b>	<b>4,004</b>	<b>801</b>	<b>534</b>
<b>DAVAO DEL SUR</b>	<b>11,830</b>	<b>8,873</b>	<b>1,775</b>	<b>1,183</b>
1ST DISTRICT (with Digos City)	8,953	6,715	1,343	895
The Rest of the 1ST DISTRICT	1,991	1,493	299	199
<b>DIGOS CITY</b>	<b>6,963</b>	<b>5,222</b>	<b>1,044</b>	<b>696</b>
2ND DISTRICT	2,877	2,158	432	288
<b>DAVAO ORIENTAL</b>	<b>3,199</b>	<b>2,399</b>	<b>480</b>	<b>320</b>
1ST DISTRICT	1,256	942	188	126
2ND DISTRICT	1,943	1,457	291	194
<b>DAVAO CITY</b>	<b>8,112</b>	<b>6,084</b>	<b>1,217</b>	<b>811</b>
1ST DISTRICT	2,832	2,124	425	283
2ND DISTRICT	3,267	2,450	490	327
3RD DISTRICT	2,014	1,510	302	201

6

REGION/DIVISION/LEGISLATIVE DISTRICT	School Furniture Allocation (P000's)	75% (Regular Procurement)	15% (Other Types of Cooperatives)	10% (Cooperatives Formed by Persons With Disabilities)
<b>NATIONAL TOTAL</b>	<b>900,000</b>	<b>675,000</b>	<b>135,000</b>	<b>90,000</b>
<b>TOTAL REGION XII</b>	<b>30,828</b>	<b>23,121</b>	<b>4,624</b>	<b>3,083</b>
<b>COTABATO</b>	<b>8,427</b>	<b>6,320</b>	<b>1,264</b>	<b>843</b>
1ST DISTRICT	3,808	2,856	571	381
2ND DISTRICT (with Kidapawan City)	4,619	3,464	693	462
The Rest of the 2ND DISTRICT	2,756	2,067	413	276
<b>KIDAPAWAN CITY</b>	<b>1,863</b>	<b>1,397</b>	<b>279</b>	<b>186</b>
<b>SOUTH COTABATO</b>	<b>11,169</b>	<b>8,377</b>	<b>1,675</b>	<b>1,117</b>
1ST DISTRICT (with Gen. Santos City)	4,173	3,130	626	417
The Rest of the 1ST DISTRICT	1,497	1,123	225	150
<b>GEN. SANTOS CITY</b>	<b>2,676</b>	<b>2,007</b>	<b>401</b>	<b>268</b>
2ND DISTRICT (with Koronadal City)	6,996	5,247	1,049	700
The Rest of the 2ND DISTRICT	3,062	2,296	459	306
<b>KORONADAL CITY</b>	<b>3,934</b>	<b>2,951</b>	<b>590</b>	<b>393</b>
<b>SARANGANI (Lone District)</b>	<b>3,049</b>	<b>2,287</b>	<b>457</b>	<b>305</b>
<b>SULTAN KUDARAT (Lone District)</b>	<b>4,961</b>	<b>3,721</b>	<b>744</b>	<b>496</b>
<b>TACURONG CITY</b>	<b>2,184</b>	<b>1,638</b>	<b>328</b>	<b>218</b>
<b>COTABATO CITY (1st District, Maguindanao)</b>	<b>1,037</b>	<b>778</b>	<b>156</b>	<b>104</b>

h

REGION/DIVISION/LEGISLATIVE DISTRICT	School Furniture Allocation (P000's)	75% (Regular Procurement)	15% (Other Types of Cooperatives)	10% (Cooperatives Formed by Persons With Disabilities)
<b>NATIONAL TOTAL</b>	<b>900,000</b>	<b>675,000</b>	<b>135,000</b>	<b>90,000</b>
<b>TOTAL C A R A G A</b>	<b>28,782</b>	<b>21,586</b>	<b>4,317</b>	<b>2,878</b>
<b>AGUSAN DEL NORTE</b>	<b>4,980</b>	<b>3,735</b>	<b>747</b>	<b>498</b>
1ST DISTRICT (with Butuan City)	2,110	1,583	317	211
The Rest of the 1ST DISTRICT	238	179	36	24
<b>BUTUAN CITY</b>	<b>1,872</b>	<b>1,404</b>	<b>281</b>	<b>187</b>
2ND DISTRICT	2,870	2,152	430	287
<b>AGUSAN DEL SUR (Lone District)</b>	<b>4,338</b>	<b>3,254</b>	<b>651</b>	<b>434</b>
<b>SURIGAO DEL NORTE</b>	<b>10,146</b>	<b>7,610</b>	<b>1,522</b>	<b>1,015</b>
1ST DISTRICT (with Siargao)	5,783	4,337	867	578
The Rest of the 1ST DISTRICT	2,852	2,139	428	285
<b>SIARGAO</b>	<b>2,931</b>	<b>2,198</b>	<b>440</b>	<b>293</b>
2ND DISTRICT (with Surigao City)	4,363	3,272	654	436
The Rest of the 2ND DISTRICT	3,532	2,649	530	353
<b>SURIGAO CITY</b>	<b>831</b>	<b>623</b>	<b>125</b>	<b>83</b>
<b>SURIGAO DEL SUR</b>	<b>9,317</b>	<b>6,988</b>	<b>1,398</b>	<b>932</b>
1ST DISTRICT	4,602	3,452	690	460
2ND DISTRICT (with Bislig City)	4,715	3,536	707	472
The Rest of the 2ND DISTRICT	1,432	1,074	215	143
<b>BISLIG CITY</b>	<b>3,283</b>	<b>2,462</b>	<b>492</b>	<b>328</b>

6

REGION/DIVISION/LEGISLATIVE DISTRICT	School Furniture Allocation (P000's)	75% (Regular Procurement)	15% (Other Types of Cooperatives)	10% (Cooperatives Formed by Persons With Disabilities)
<b>NATIONAL TOTAL</b>	<b>900,000</b>	<b>675,000</b>	<b>135,000</b>	<b>90,000</b>
<b>TOTAL N C R</b>	<b>55,731</b>	<b>41,798</b>	<b>8,360</b>	<b>5,573</b>
<b>MANILA</b>	<b>8,169</b>	<b>6,127</b>	<b>1,225</b>	<b>817</b>
1ST DISTRICT	1,681	1,261	252	168
2ND DISTRICT	1,374	1,031	206	137
3RD DISTRICT	987	740	148	99
4TH DISTRICT	1,028	771	154	103
5TH DISTRICT	871	653	131	87
6TH DISTRICT	2,228	1,671	334	223
<b>QUEZON CITY</b>	<b>11,390</b>	<b>8,543</b>	<b>1,709</b>	<b>1,139</b>
1ST DISTRICT	1,853	1,390	278	185
2ND DISTRICT	6,656	4,992	998	666
3RD DISTRICT	1,274	955	191	127
4TH DISTRICT	1,608	1,206	241	161
<b>KALOOKAN CITY</b>	<b>8,587</b>	<b>6,441</b>	<b>1,288</b>	<b>859</b>
1ST DISTRICT	6,835	5,126	1,025	684
2ND DISTRICT	1,752	1,314	263	175
<b>MAKATI CITY</b>	<b>2,258</b>	<b>1,694</b>	<b>339</b>	<b>226</b>
1ST DISTRICT	1,012	759	152	101
2ND DISTRICT	1,247	935	187	125
<b>LAS PIÑAS (Lone District)</b>	<b>2,576</b>	<b>1,932</b>	<b>386</b>	<b>258</b>
<b>MARIKINA CITY (Lone District)</b>	<b>2,107</b>	<b>1,580</b>	<b>316</b>	<b>211</b>
<b>MUNTINLUPA (Lone District)</b>	<b>2,002</b>	<b>1,502</b>	<b>300</b>	<b>200</b>
<b>PARANAQUE (Lone District)</b>	<b>3,299</b>	<b>2,474</b>	<b>495</b>	<b>330</b>
1ST DISTRICT	2,380	1,785	357	238
2ND DISTRICT	919	689	138	92
<b>PASAY CITY (Lone District)</b>	<b>1,769</b>	<b>1,327</b>	<b>265</b>	<b>177</b>
<b>PASIG CITY &amp; SAN JUAN</b>	<b>3,110</b>	<b>2,332</b>	<b>466</b>	<b>311</b>
PASIG CITY(Lone District)	2,521	1,891	378	252
SAN JUAN (without Mandaluyong City)	588	441	88	59
<b>MANDALUYONG CITY (without San Juan)</b>	<b>1,792</b>	<b>1,344</b>	<b>269</b>	<b>179</b>
<b>PATEROS &amp; TAGUIG (Lone District)</b>	<b>2,930</b>	<b>2,197</b>	<b>439</b>	<b>293</b>
<b>MALABON-NAVOTAS (Lone District)</b>	<b>3,112</b>	<b>2,334</b>	<b>467</b>	<b>311</b>
<b>VALENZUELA</b>	<b>2,629</b>	<b>1,972</b>	<b>394</b>	<b>263</b>
1ST DISTRICT	1,280	960	192	128
2ND DISTRICT	1,349	1,012	202	135

1

REGION/DIVISION/LEGISLATIVE DISTRICT	School Furniture Allocation (P000's)	75% (Regular Procurement)	15% (Other Types of Cooperatives)	10% (Cooperativ Formed by Persons With Disabilities)
NATIONAL TOTAL	900,000	675,000	135,000	90,000
TOTAL C A R	16,744	12,558	2,512	1,674
ABRA (Lone District)	1,963	1,472	294	194
APAYAO (Lone District)	1,086	814	163	108
BAGUIO CITY (Lone District)	1,498	1,124	225	149
IFUGAO (Lone District)	3,415	2,561	512	341
KALINGA (Lone District)	2,078	1,559	312	207
BENGUET (Lone District)	4,662	3,497	699	466
MT. PROVINCE (Lone District)	2,042	1,532	306	204

16



REGION/DIVISION/LEGISLATIVE DISTRICT	School Furniture Allocation (P000's)	75% (Regular Procurement)	15% (Other Types of Cooperatives)	10% (Cooperatives Formed by Persons With Disabilities)
<b>NATIONAL TOTAL</b>	<b>900,000</b>	<b>675,000</b>	<b>135,000</b>	<b>90,000</b>
<b>TOTAL A R M M</b>	<b>43,861</b>	<b>32,896</b>	<b>6,579</b>	<b>4,386</b>
<b>BASILAN (Lone District, without Isabela City)</b>	<b>2,032</b>	<b>1,524</b>	<b>305</b>	<b>203</b>
<b>LANAO DEL SUR</b>	<b>8,949</b>	<b>6,712</b>	<b>1,342</b>	<b>895</b>
1ST DISTRICT (with Marawi City)	4,397	3,298	660	440
The Rest of the 1ST DISTRICT	3,298	2,474	495	330
<b>MARAWI CITY</b>	<b>1,099</b>	<b>824</b>	<b>165</b>	<b>110</b>
2ND DISTRICT	4,552	3,414	683	455
<b>MAGUINDANAO</b>	<b>17,799</b>	<b>13,349</b>	<b>2,670</b>	<b>1,780</b>
1ST DISTRICT (without Cotabato City)	4,920	3,690	738	492
2ND DISTRICT	12,879	9,659	1,932	1,288
<b>SULU</b>	<b>12,563</b>	<b>9,422</b>	<b>1,884</b>	<b>1,256</b>
1ST DISTRICT	6,255	4,691	938	625
2ND DISTRICT	6,308	4,731	946	631
<b>TAWI-TAWI (Lone District)</b>	<b>2,517</b>	<b>1,888</b>	<b>378</b>	<b>252</b>

h

# Annex 3

## CY 2006 SCHOOL FURNITURE PROGRAM

### LIST OF RECIPIENT SCHOOLS

(75% ALLOCATION)

(15% ALLOCATION)

(10% ALLOCATION)

DIVISION OF \_\_\_\_\_  
 REGION \_\_\_\_\_

Cong'l District	No.	Name of School	Location	No. of Units to be Delivered				
				Table and Chair		Armchair		Teacher's Table & Chair
				Grade I - IV (sets)	Grade V - VI (sets)	Elem. (units)	Sec. (units)	
1st	1							
1st	2							
1st	3							
1st	4							
1st	5							
1st	6							
SUB-TOTAL								
2nd	1							
2nd	2							
2nd	3							
2nd	4							
2nd	5							
2nd	6							
2nd	7							
2nd	8							
SUB-TOTAL								
3rd	1							
3rd	2							
SUB-TOTAL								
GRAND TOTAL								

Submitted by:

Signature over Printed Name

-----

Designation

Noted:

Schools Division Superintendent

h

# **ANNEX 2**

**SCHOOL  
FURNITURE  
PROJECT 2006**

**TYPICAL DESIGN OF TWO SEATER  
TABLE AND CHAIR  
FOR ELEMENTARY**

**SCHOOL FURNITURE PROJECT 2006**

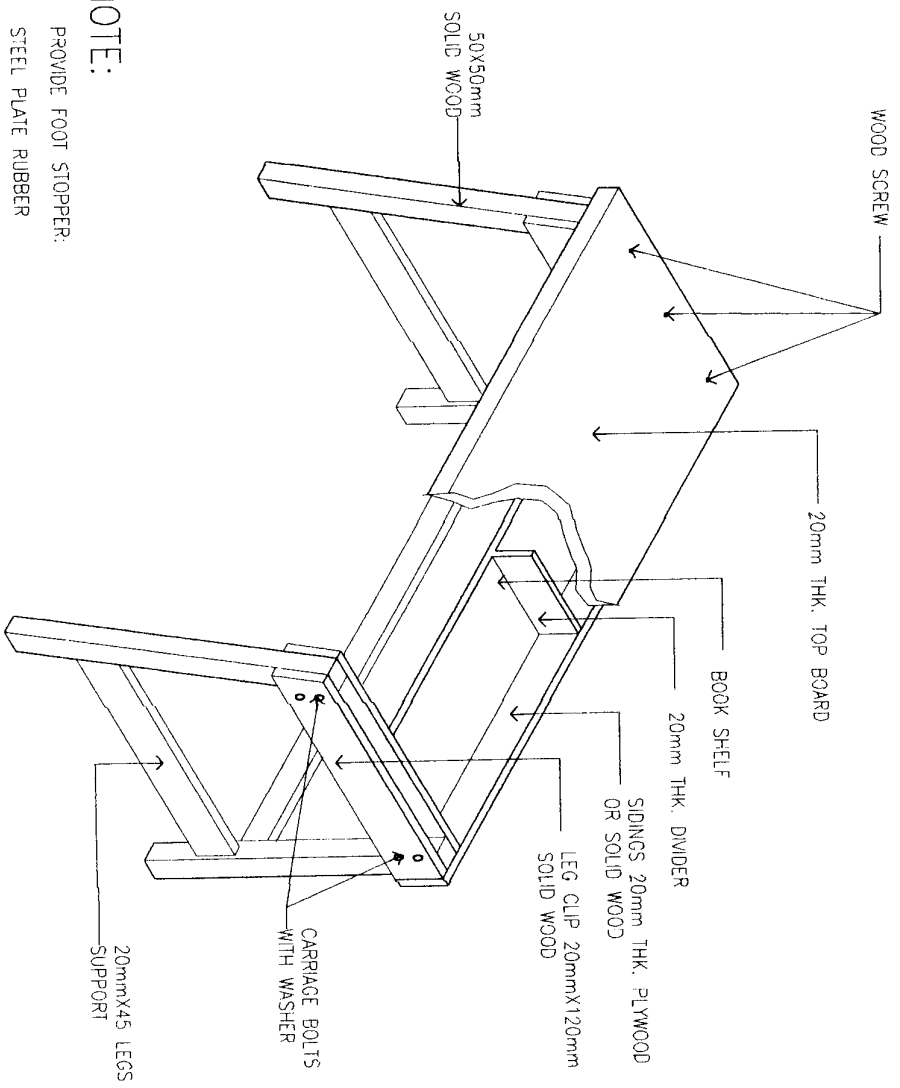
DIMENSIONS OF ELEMENTARY TABLE IN MILLIMETER

LEVEL	Grades I-IV	Grades V-VI
A   TABLE HEIGHT	525	590
B   TABLE WIDTH	400	400
C   TABLE LENGTH	1000	1100
D   SHELF WIDTH	200	200

TECHNICAL SPECIFICATIONS:

- TOP BOARD - 20mm THK. MARINE PLYWOOD W/ 20mmX20mm EDGING OR SOLID WOOD
- LEGS - 50mmX50mm SOLID WOOD
- SIDINGS - 20mmX120mm SOLID WOOD
- LEGS SUPPORT - 20mmX45mm SOLID WOOD
- FOOT CLIP - 20mmX120mm SOLID WOOD
- SHELF - 20mm THK. PLYWOOD, SOLID WOOD
- DIVIDER - 20mm THK. PLYWOOD, SOLID WOOD

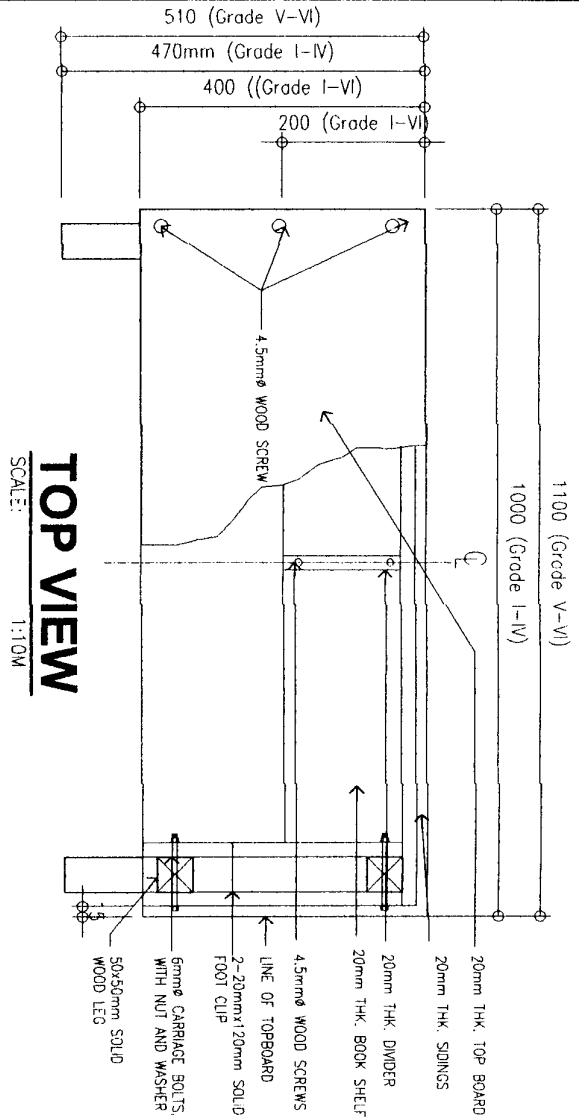
NOTE:  
ALL SOLID WOOD MUST BE TREATED KILN DRIED OR SUNDRIED (TANGULIE, GEMELINA, RED LAUAN OR EQUIVALENT)



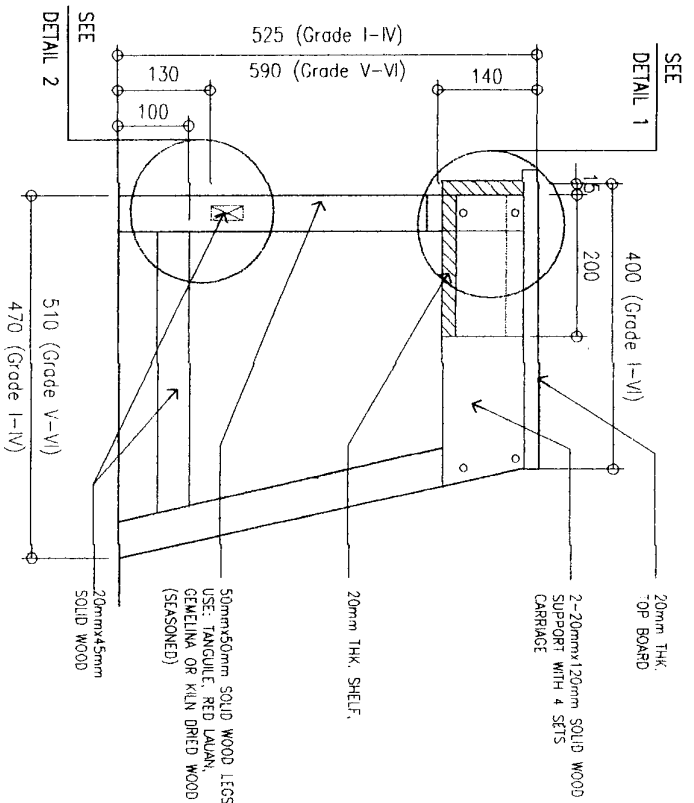
NOTE:  
PROVIDE FOOT STOPPER:  
STEEL PLATE RUBBER  
OR PLASTIC SOLE

**ISOMETRIC VIEW** (ALL WOOD)  
NTS

TYPICAL DESIGN OF TWO SEATER TABLE  
FOR ELEMENTARY GRADES  
CY 2006 (ALL WOOD COMBINATION)

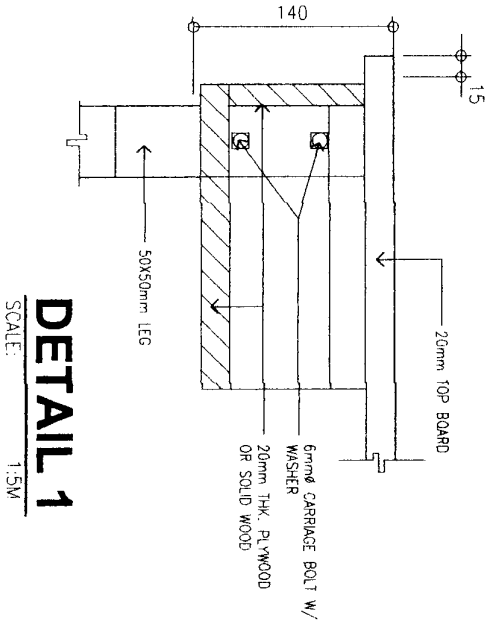


**TOP VIEW**  
SCALE: 1:10M

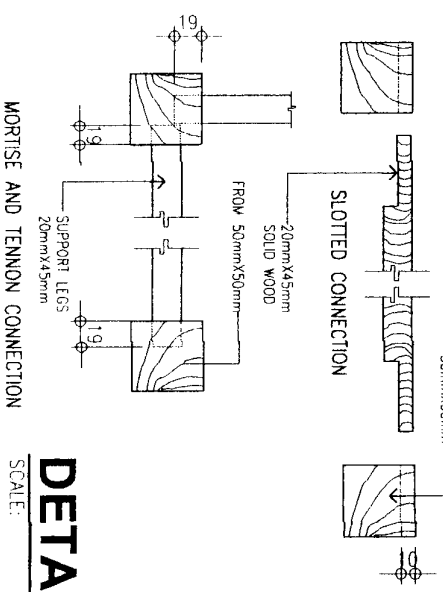


**SECTION**  
SCALE: 1:10M

NOTE:  
CONNECTIONS SHOULD BE GLUED  
AND NAILED SECURELY

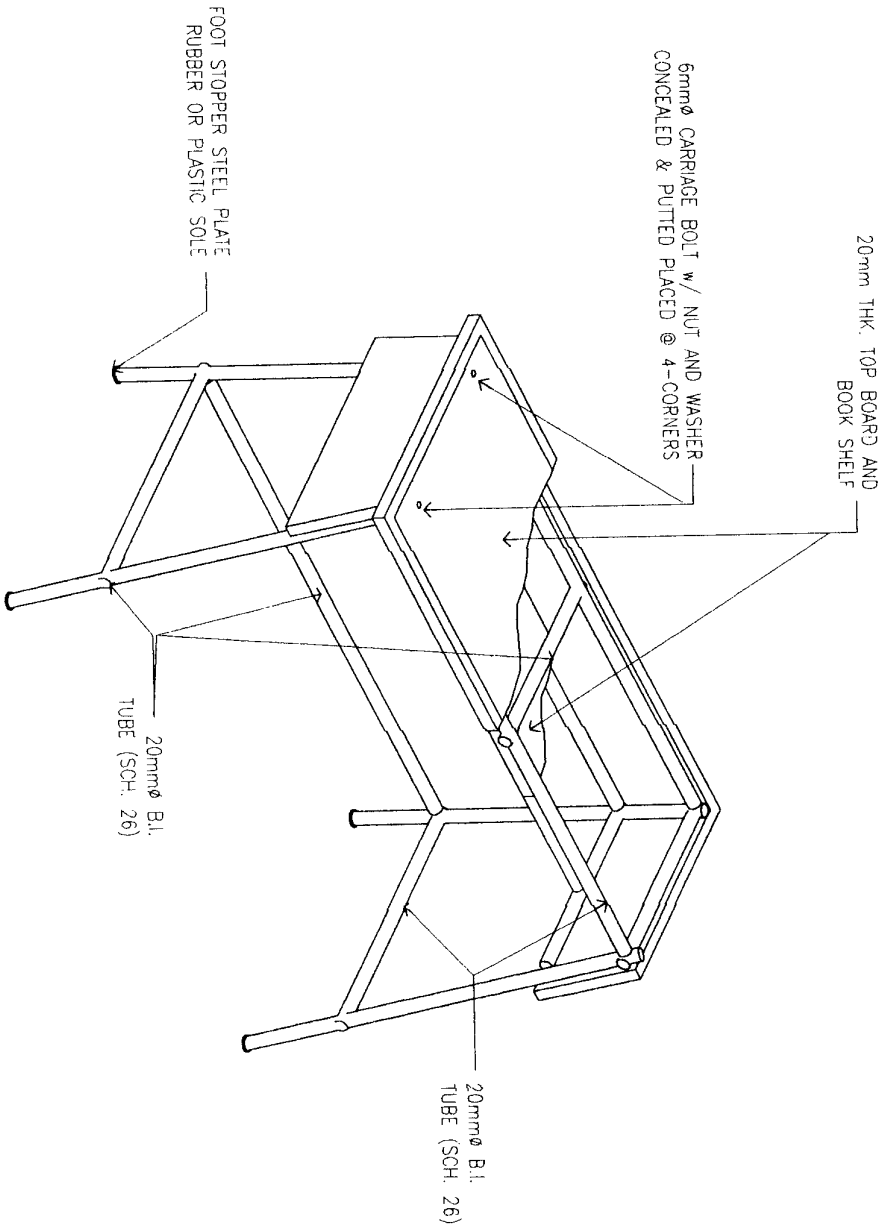


**DETAIL 1**  
SCALE: 1:5M



**DETAIL 2**  
SCALE: 1:5M

MORTISE AND TENON CONNECTION



# ISOMETRIC VIEW

N.T.S

DIMENSIONS OF ELEMENTARY TABLE IN MILLIMETER

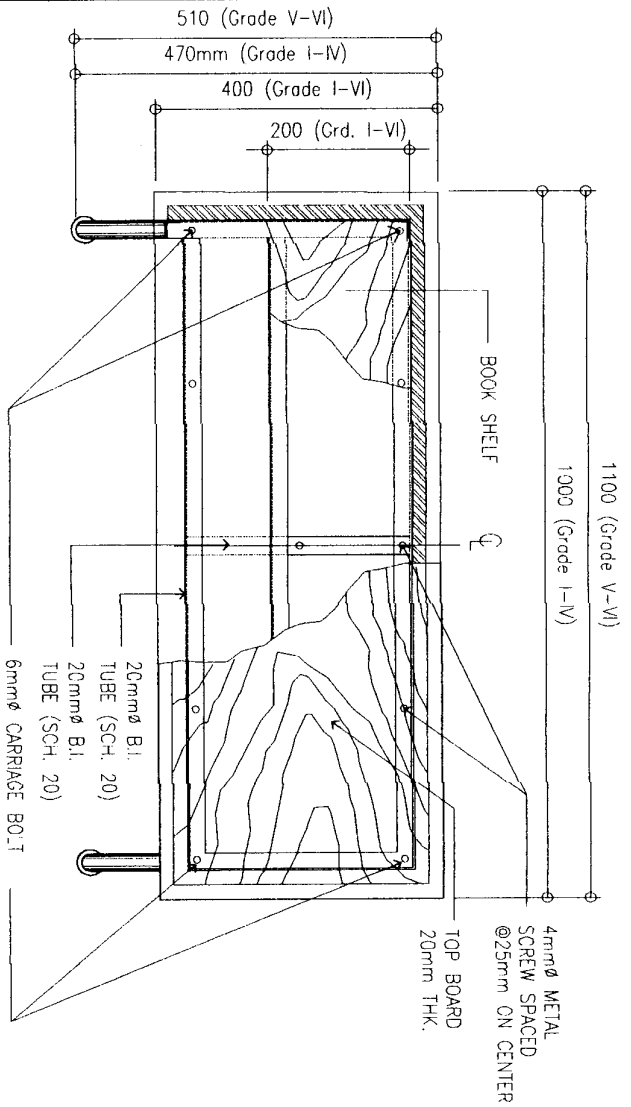
LEVEL	Grades I-N	Grades V-VI
A TABLE HEIGHT	525	590
B TABLE WIDTH	400	400
C TABLE LENGTH	1000	1100
D SHELF WIDTH	200	200

### TECHNICAL SPECIFICATIONS:

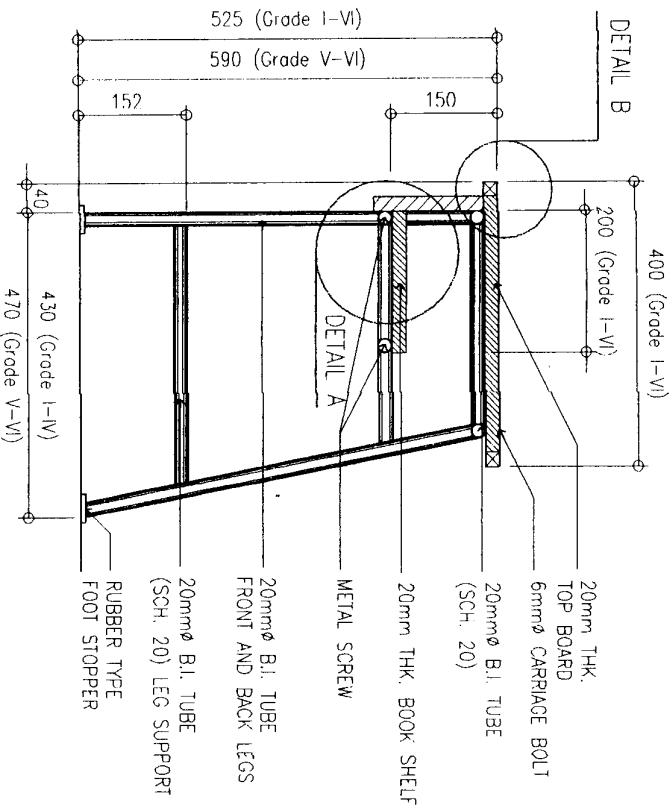
- TOP BOARD - 20mm THK. MARINE PLYWOOD W/ 20x20mm EDGING OR SOLID WOOD
- STRUCTURAL FRAME - USE 20mm Ø B.I. TUBE (SCH. 20)
- BOOK SHELF - 20mm THK. PLYWOOD OR SOLID WOOD
- TOP BOARD BRACES - 20mm Ø B.I. TUBE (SCH. 20)
- ALL JOINTS FULLY WELDED

NOTE:  
ALL SOLID WOOD MUST BE TREATED KILN DRIED OR SUNDRIED (TANGILE, GEMELINA, RED LAUAN OR EQUIVALENT)

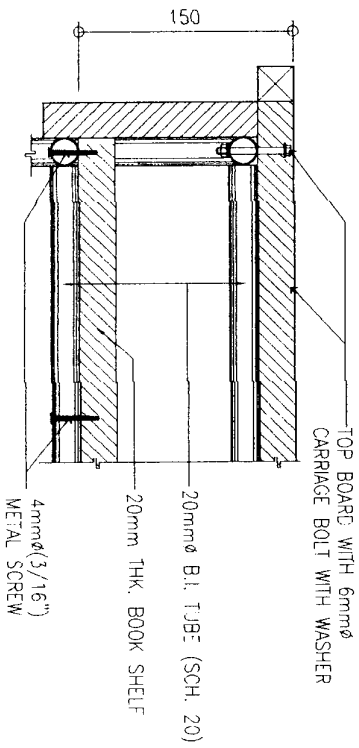




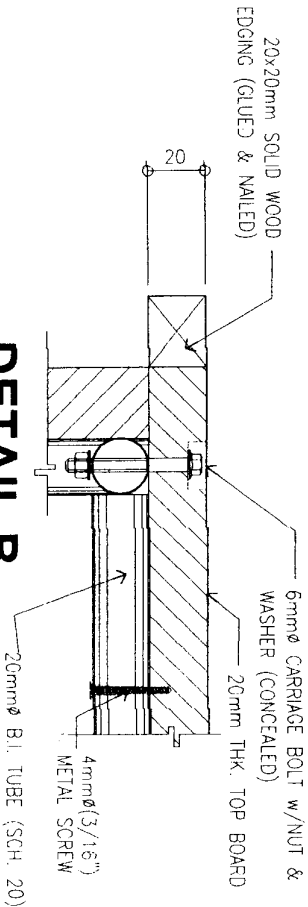
**TOP VIEW**  
SCALE: 1:10M



**FRONT VIEW**  
SCALE: 1:10M



**DETAIL A**  
SCALE: 1:5M



**DETAIL B**  
SCALE: 1:2.5M

DIMENSIONS OF ELEMENTARY CHAIR IN MILLIMETER

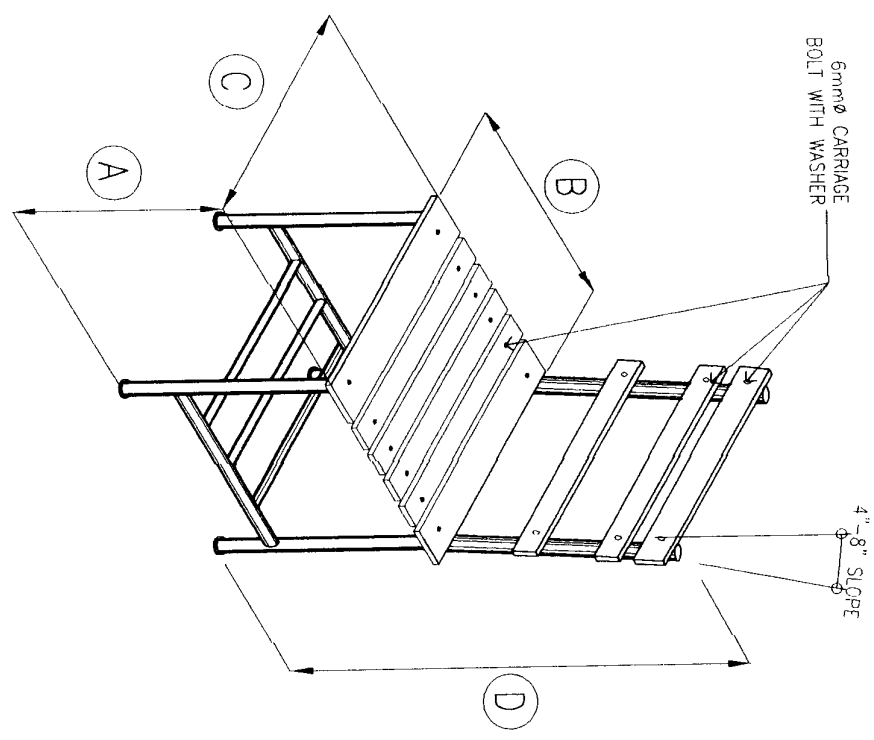
LEVEL	Grades I-IV	Grades V-VI
A   SEAT HEIGHT	320	360
B   SEAT DEPTH	330	370
C   SEAT WIDTH	370	390
D   BACKREST HEIGHT	645	710

NOTE:  
ALL STEEL JOINTS SHALL BE FULLY WELDED.

TECHNICAL SPECIFICATIONS:

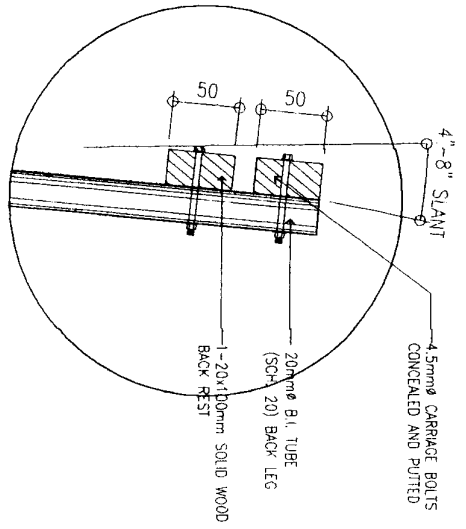
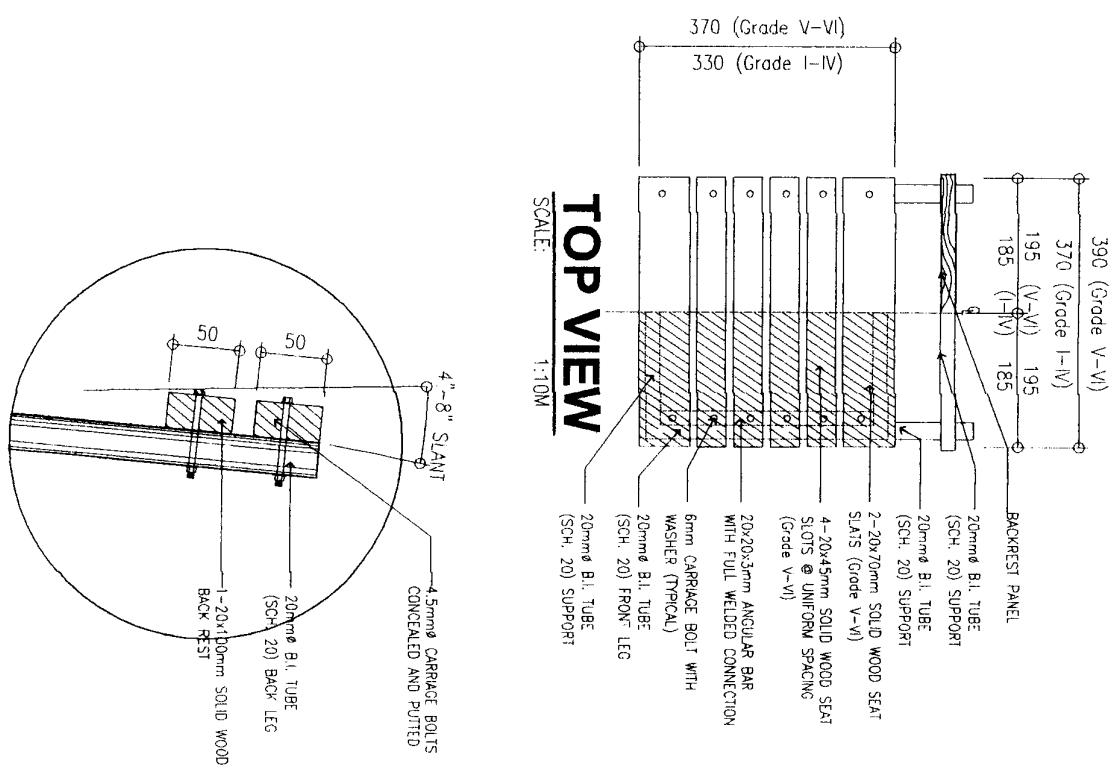
SEAT SLOT GRADES V-VI	4-20mmx45mm, TANGGILE or EQUIVALENT
SEAT SLOT GRADES I-IV	2-20mmx70mm, TANGGILE or EQUIVALENT
FRONT LEG/ BACK LEG/ SUPPORT	5-20mmx45mm, TANGGILE or EQUIVALENT
BACK REST	1-20mmx70mm, TANGGILE or EQUIVALENT
	20mm $\phi$ B.I. TUBE (SCH. 20)
	3-20mmx50mm, SOLID WOOD

NOTE:  
ALL SOLID WOOD MUST BE TREATED KILN DRIED OR SUNDRIED (TANGGILE, GEMELINA, RED LAUAN OR EQUIVALENT)

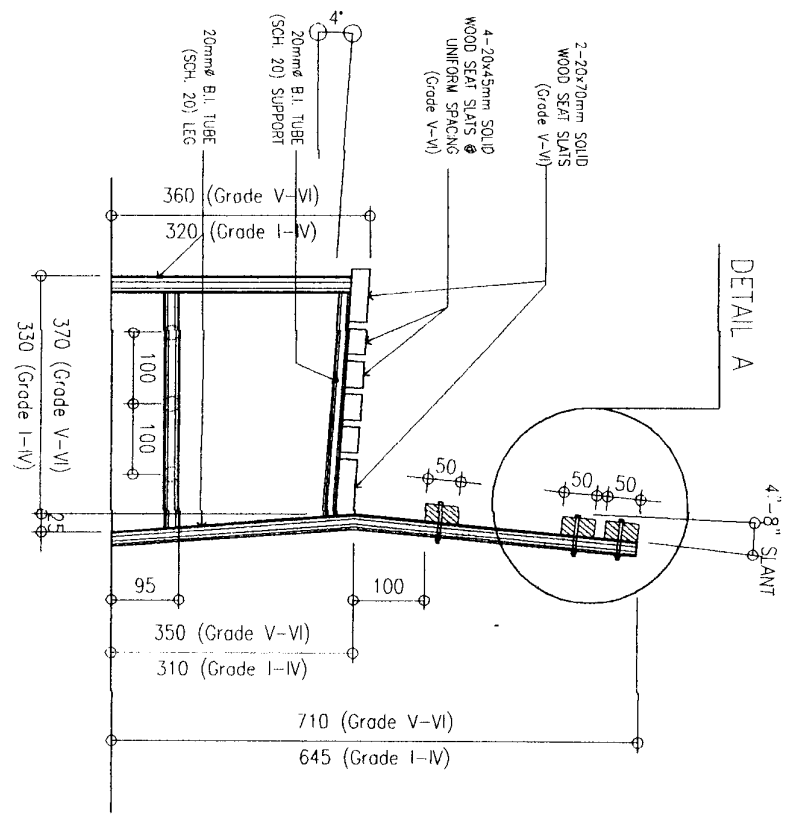


**ISOMETRIC**  
(WOOD AND STEEL)

NOTE:  
PROVIDE FOOT STOPPER:  
STEEL PLATE RUBBER  
OR PLASTIC SOLE



**DETAIL-A**  
 SCALE: 1:5M



**SECTION**  
 SCALE: 1:10M

**TYPICAL DESIGN OF CHAIR FOR ELEMENTARY GRADES (STEEL AND WOOD COMBINATION)**  
 CY 2006 (STEEL AND WOOD COMBINATION)

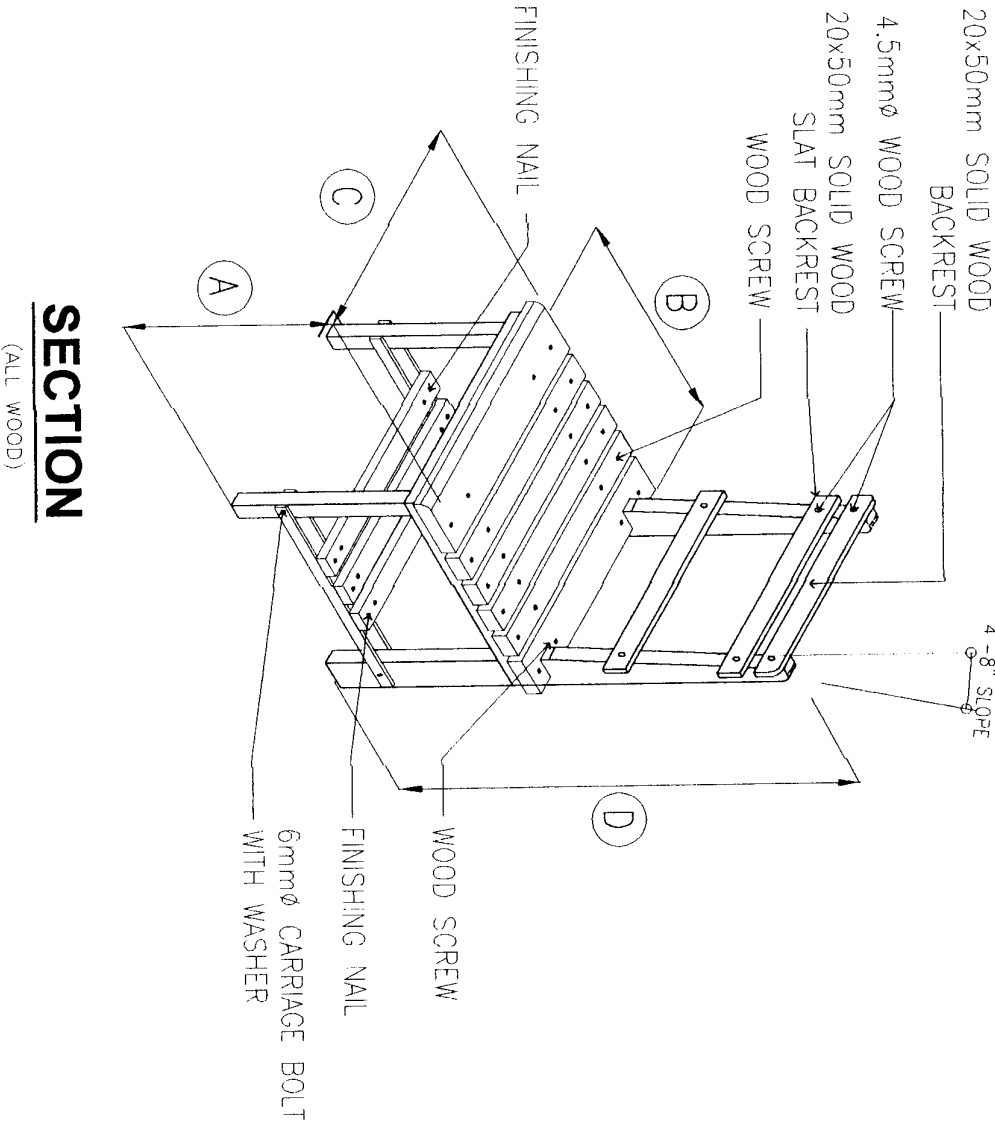
DIMENSIONS OF ELEMENTARY CHAIR IN MILLIMETER

LEVEL	Grades I-IV	Grades V-VI
A SEAT HEIGHT	320	360
B SEAT DEPTH	330	370
C SEAT WIDTH	370	390
D BACKREST HEIGHT	645	710

TECHNICAL SPECIFICATIONS:

SEAT SLOT GRADES V-VI	4-20mmx45mm, TANGULE
SEAT SLOT GRADES I-IV	5-20mmx45mm, TANGULE
FRONT LEG	45mmx45mm, TANGULE
BACK LEG	45mmx70mm, TANGULE
BOOK SHELF	3-20mmx45mm, TANGULE
BACK REST	3-20mmx50mm, TANGULE
SEAT BRACE	4-20mmx45mm, TANGULE

NOTE:  
ALL SOLID WOOD MUST BE TREATED KILN DRIED OR SUNDRIED (TANGULE, GEMELINA, RED LAUAN OR EQUIVALENT)



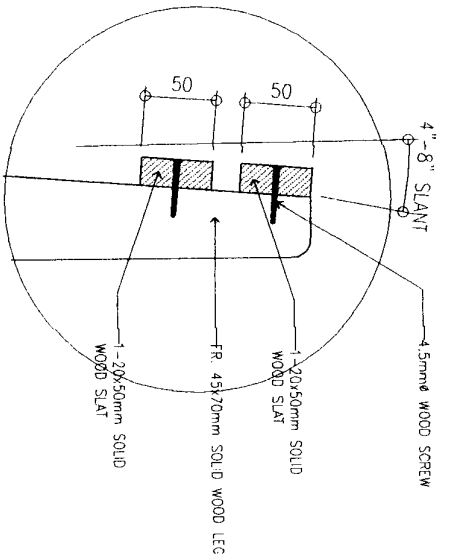
**SECTION**  
(ALL WOOD)

TYPICAL DESIGN OF CHAIR FOR ELEMENTARY GRADES (COMBINATION)

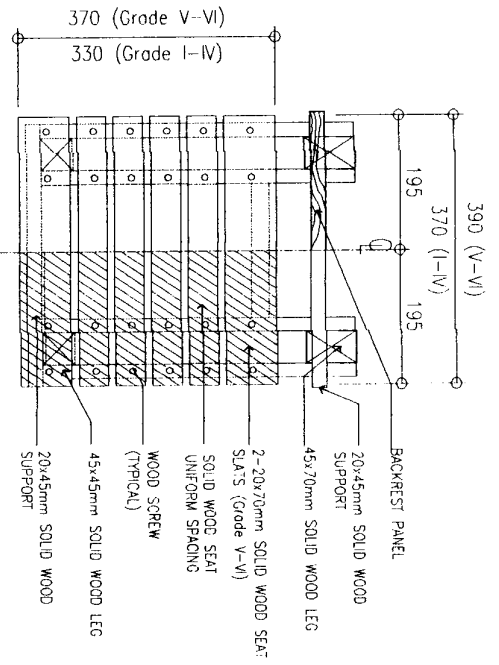
1

2

**DETAIL-A**
  
 SCALE: 1:5M



**TOP VIEW**
  
 SCALE: 1:10M



**SECTION**
  
 SCALE: 1:10M

