

Republika ng Pilipinas  
(Republic of the Philippines)  
MINISTRI NG EDUKASYON AT KULTURA  
(MINISTRY OF EDUCATION AND CULTURE)  
Maynila

October 13, 1978

M E C O R D E R  
No. 34, s. 1978

AMENDING DEPARTMENT ORDERS NOS. 32 AND 54, s. 1975

To: Bureau Directors  
Regional Directors  
Coordinator, State Colleges and Universities  
Schools Superintendents  
Heads of Private Schools, Colleges and Universities

1. Effective this school year 1978-1979, the 11-man football system shall take the place of the 7-man football in the secondary schools athletic program. Likewise, the following are the track events for the secondary and integrated levels of competition.

E V E N T S

100 -- Meters	--	(B & G)	(M & W)
200 -- Meters	--	(B & G)	(M & W)
400 -- Meters	--	(B & G)	(M & W)
800 -- Meters	--	(B & G)	(M & W)
1,500 -- Meters	--	(B & G)	(M & W)
3,000 -- Meters	--	(B & G)	(M & W)
3,000 -- Meter Steeplechase	--	(B & M)	
5,000 -- Meters	--	(B & M)	
10,000 -- Meters	--	(M)	
100 -- Meter Hurdles	--	(G & W)	
110 -- Meter Hurdles	--	(B & M)	
400 -- Meter Hurdles	--	(B & G)	(M & W)
4 x 100 -- Meter Relay	--	(B & G)	(M & W)
4 x 400 -- Meter Relay	--	(B & G)	(M & W)

With the exception of the distance runs, elementary school principals may select the events suited for their pupils. Potential athletes may be integrated with the secondary team.

2. All previous regulations which are in conflict with this Order are hereby amended.







3. Inclosed are the sketches/measurements of the football field and the movable goal.

4. Immediate dissemination and implementation of this Order is desired.

(SGD.) JUAN L. MANUEL  
Minister of Education and Culture

Incl.:  
As stated

References:  
Department Orders: (Nos. 32 and 54, s. 1975)

Allotment: 1-2-3-4--(D.O. 1-76)

To be indicated in the Perpetual Index  
under the following subjects:

~~AMENDMENT~~  
~~ATHLETICS~~

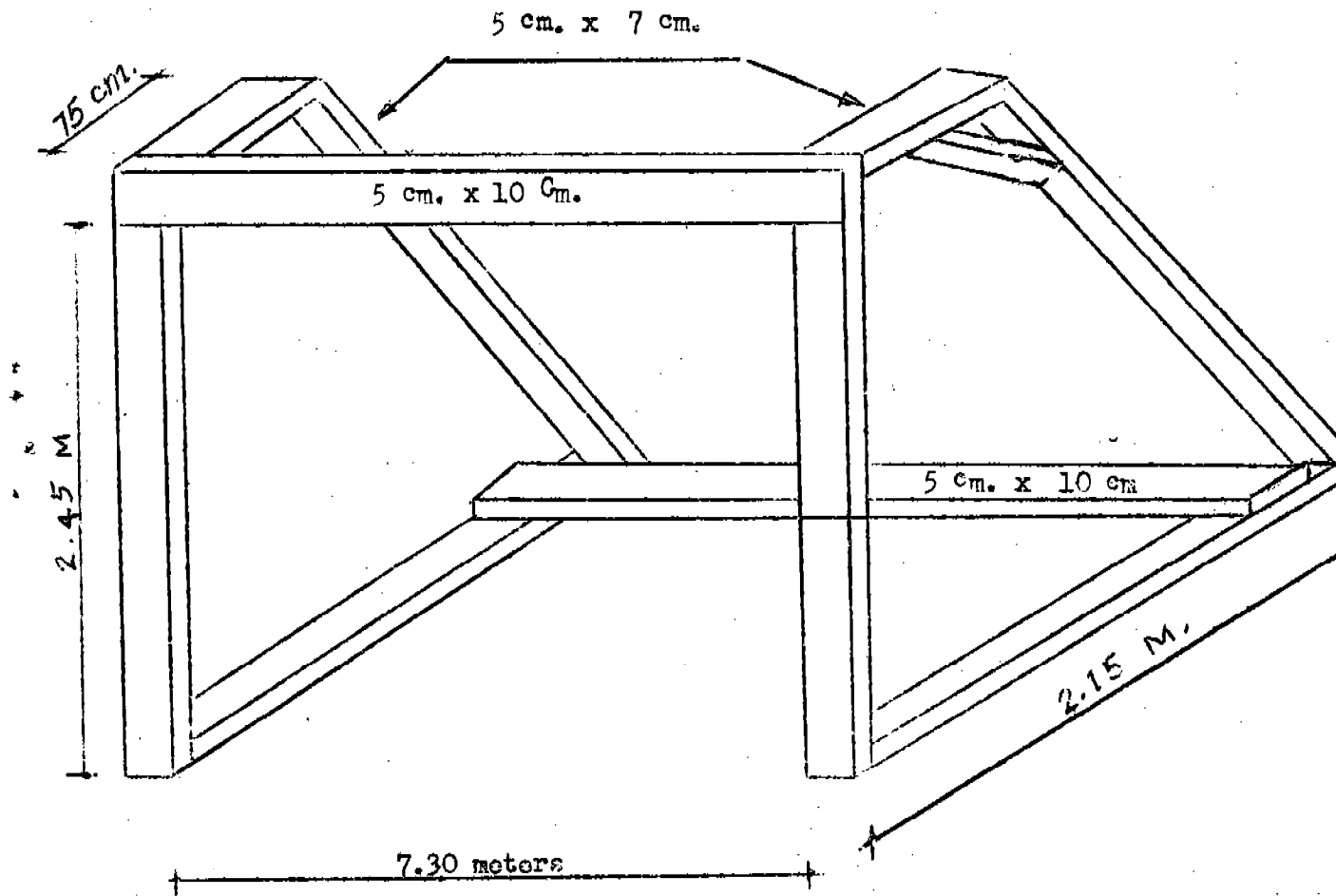








(Inclosure to MEC Order No. 34, s, 1918)



M.VABLE GOAL



△  
+



(Inclosure to MEC Order No. 34, s. 1978)

FOOTBALL FIELD

ELEVEN MEN

