

Republika ng Pilipinas
(Republic of the Philippines)
KAGAWARAN NG PANGKALAHATAN, KULTURA AT ISPORTS
(MINISTRY OF EDUCATION, CULTURE AND SPORTS)
Manila

August 20, 1983

NECS MEMORANDUM
No. 181, s. 1983

ORGANIZATION/VITALIZATION AND AFFILIATION
OF SCIENCE CLUBS TO THE PHILIPPINE SOCIETY
OF YOUTH SCIENCE CLUBS, INC. (PSYSC)

To: Bureau Directors
Regional Directors
Schools Superintendents
Presidents, State Colleges and Universities
Heads of Private Schools, Colleges
and Universities

1. In conformity with the development goals and objectives of the educational program of the country, the science education program shall be further strengthened and its implementation intensified in and out of the classrooms. For this purpose, all schools and colleges are enjoined to organize and/or vitalize their science clubs.

2. A national confederation of science clubs, known as the Philippine Society of Youth Science Clubs (PSYSC), has been organized to serve as government partner in the promotion of science consciousness especially in the grassroots level. All local science clubs are enjoined to affiliate with this national organization.

3. Inclosed are the guidelines for affiliation and a list of benefits which may be derived from affiliating with the society.

4. It is requested that the contents of this Memorandum be disseminated to all concerned.

(SGD.) ONOFRE D. OLIVERA
Minister

Incl.:
As stated

References:
NECS Memorandums: Nos. 172 and 174, s. 1983

Allotment: 1-2-3-4-(D.O. 1-76)

To be indicated in the Perpetual Index under the following subjects:
SCIENCE EDUCATION
SOCIETY or ASSOCIATIONS

PSYSC AFFILIATION GUIDELINES
(Revised 1982)

I. REQUISITES FOR AFFILIATION:

- 1.a. Any in-school or out-of-school science club with at least thirty (30) members in any of the following levels shall be eligible for registration. All members of the science club should be affiliated/registered to PSYSC.
1. elementary level (in-school members should not be more than 23 years old)
 2. secondary level
 3. collegiate level
 4. out-of-school (out-of-school members should not be more than 27 years old)
- 1.b. Membership/Affiliation fees:
- ₱ 1.50 - for science club members
 - ₱ 2.00 - for science club officers
- 1.c. Filled up PSYSC affiliation forms no. 1, 2 and 3 along with a local science club action plan and corresponding fees.

II. AFFILIATION PROCEDURE:

Any science club after having organized/recognized itself shall take the following steps for affiliation:

1. Secure PSYSC Affiliation forms No. 1, 2, and 3
2. Accomplish PSYSC Affiliation forms No. 1, 2 and 3 and prepare a local science club action plan for schoolyear 1983-1984 (this should be prepared during the club's first business meeting).
3. Collect the necessary affiliation/membership fees.
4. Send or mail PSYSC affiliation forms No. 1, 2 and 3 along with the local science club action plan to the PSYSC Regional Chapter Secretary.

III. AFFILIATION FEE BREAKDOWN:

Local Science Club Share - ₱1.00 from the ₱2.00 paid by each science club officer plus ₱0.50 from the ₱1.50 paid by each science club member.

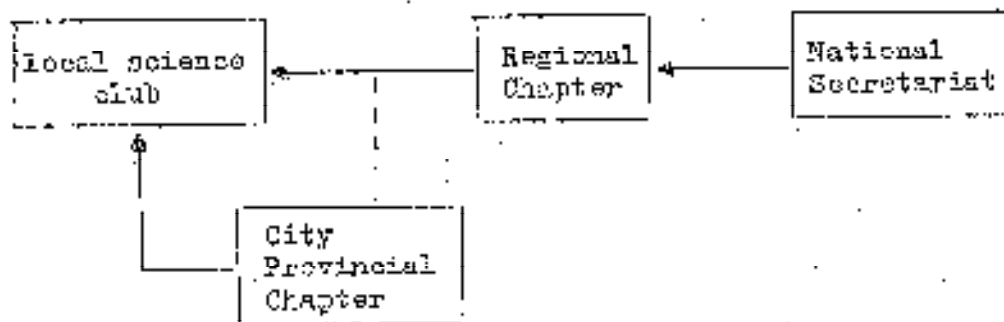
Every peso (science club share subtracted) paid by the science club members/officers shall be broken down to:

- ₱ 0.35 - PSYSC City/Provincial share
- ₱ 0.25 - PSYSC Regional share
- ₱ 0.20 - *PSYSC National share
- ₱ 0.20 - *processing fee of affiliation papers, percentage and cost of ID Cards.
- ₱ 1.00 - *(These shall be remitted to the PSYSC National Secretariat together with the National share)

IV. AFFILIATION FLOW:

All affiliation forms (in quadruplicate) together with the total amount collected shall be sent or mailed to the PSYSC Regional Chapter c/o the PSYSC Regional Secretary. The regional chapter will in turn remit the national share (₱0.20) plus cost of ID's (₱0.20) to the PSYSC National Secretariat and the City/Provincial chapter, giving each a copy of affiliation form no. 1, 2 and 3 along with the local science club action plan for SY 1983-1984. The PSYSC National Secretariat will send corresponding ID Cards to the regional chapter then to the local science club.

ID DISTRIBUTION FLOW:



Notes:

Whenever it is more convenient, affiliation paper or any communication for that matter should pass the PSYSC City/Provincial Chapter.

IV. MEMBERSHIP PRIVILEGES:

All PSYSC Affiliated Science Club members shall be entitled to the following privileges:

- a.) Preferred participation in SPI activities like Science Fairs and Quizzes, Science Camps, Leadership Training Herbal/Medicinal Garden and the like.
- b.) Additional points for the Annual Sigam (Sigaw Ng Agham) Awards-Search for the Most Outstanding Science Club Members.
- c.) Free copy of Sunday Magazine shall be given to each Science Club Affiliated.
- d.) Each affiliated science club member, officer shall receive an ID Card duly validated by the PSYSC National Secretariat. (ID Cards issued otherwise shall not be honored.)
- e.) Community development projects conducted by science club can be credited for YCAP units upon approval of the local school YCAP coordinator (as per MEC/SFP joint guidelines formulated summer 1977 in Baguio City.
- f.) Certificates of PSYSC affiliation shall be awarded to the affiliated science club during appropriate activities like the NSCH, RSPQ, RYSC and others.

V. EFFECTIVITY:

This affiliation guidelines shall be effective by schoolyear 1983-1984 and onwards unless otherwise revised. Any queries should be in black and white and be addressed to:

The PSYSC National Secretariat
PTRI Compound, Alcutan, Cagdag, Metro Manila

PSYSC Affiliation Form No. 1
(Revised 1982)

(Date)

The Regional Chapter Secretary
Philippine Society of Youth Science
Clubs, Inc.
Region _____ Chapter _____

Sir/Madam:

We wish to apply for affiliation/registration of our science clubs _____ of _____
(Name of science club) (School
_____ and address) with the PHILIPPINE SOCIETY
OF YOUTH SCIENCE CLUBS, INC. Enclosed are PSYSC affiliation forms #3 and a copy of our LOCAL SCIENCE CLUB ACTION PROGRAM FOR SY 1983-1984 and the corresponding amount of ₱ _____.

We hereby agree to abide by the Constitution and By-Laws of the PSYSC and to support fully the PSYSC National Action Plan for school year 1983-1984.

Hoping for your consideration.

Very truly yours,

ATTESTED BY:

Science Club President

Science Club Secretary

NOTED:

Science Club Adviser

School Head/Principal

It is understood however that corresponding ID Cards shall be issued to the members/officers. Such ID Cards shall be valid only until May 30, 1984 and should be worn by all concerned during science club activities and whenever necessary.

(*All forms should be accomplished in quadruplicate)

Original - PSYSC National Secretariat
Duplicate - PSYSC City/Provincial Chapter
Triplicate - PSYSC Regional Chapter
Quadruplicate - SPT DSEO/SPO or PSYSC Regional Adviser



PSYSC Affiliation Form No. 3
(Revised 1982)

_____ (Date)

This is to certify that _____
(Name of Science Club)
of _____
(School and complete mailing address)
received the amount of _____ (P_____)
as science club's share of the membership fees of the
following science club officers, members and advisers,
broken down as follows:

| | |
|--|--------------------|
| | Science Club share |
| _____ (Total number of science club officers) X P1.00= | _____ |
| _____ (Total number of science club members) X P0.50= | _____ |
| _____ (Total number of science club advisers) X P5.00= | _____ |
| | P _____ |

This is to certify further that the above total amount of
science club share serve as (please check)

1. _____ initial fund of the science club
2. _____ additional fund of the science club
(kindly specify amount of retained
fund as of last schoolyear P _____)

ATTESTED:

CERTIFIED TRUE AND CORRECT:

Science Club President
Noted:

Science Club Treasurer

School Head/Principal

NOTE:

Each Science Club Officer shall pay P2.00 as membership
fee. Out of this, one peso (P1.00) shall be retained with the
club to serve as initial and or additional fund along with the
P5.00 membership fee of each advisor who shall be called as
PSYSC Advisers and shall receive separate ID Cards along with
P0.50 retained from the P1.50 affiliation fee received from
each science club member.

